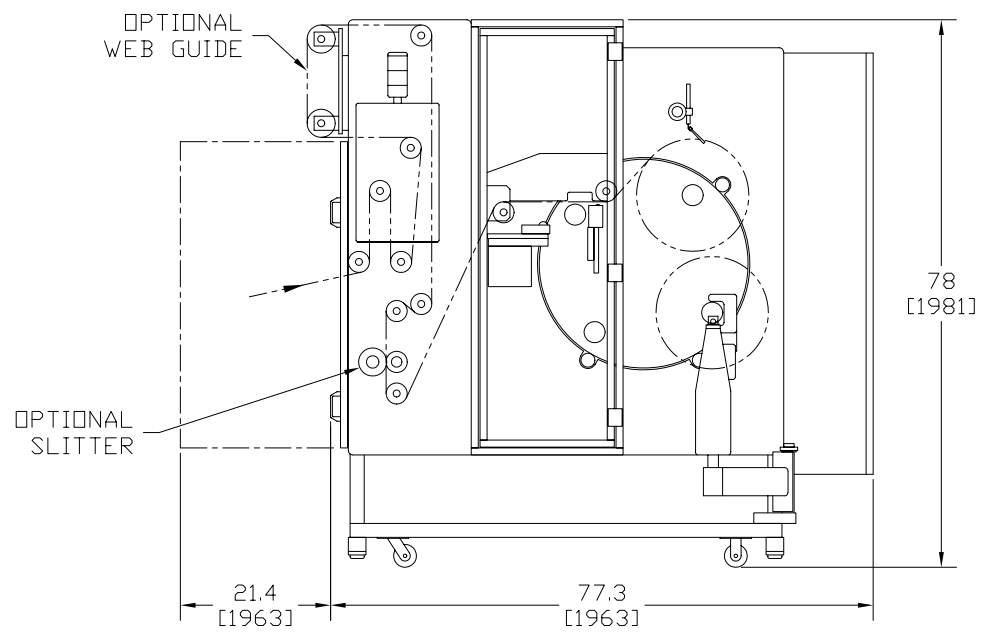
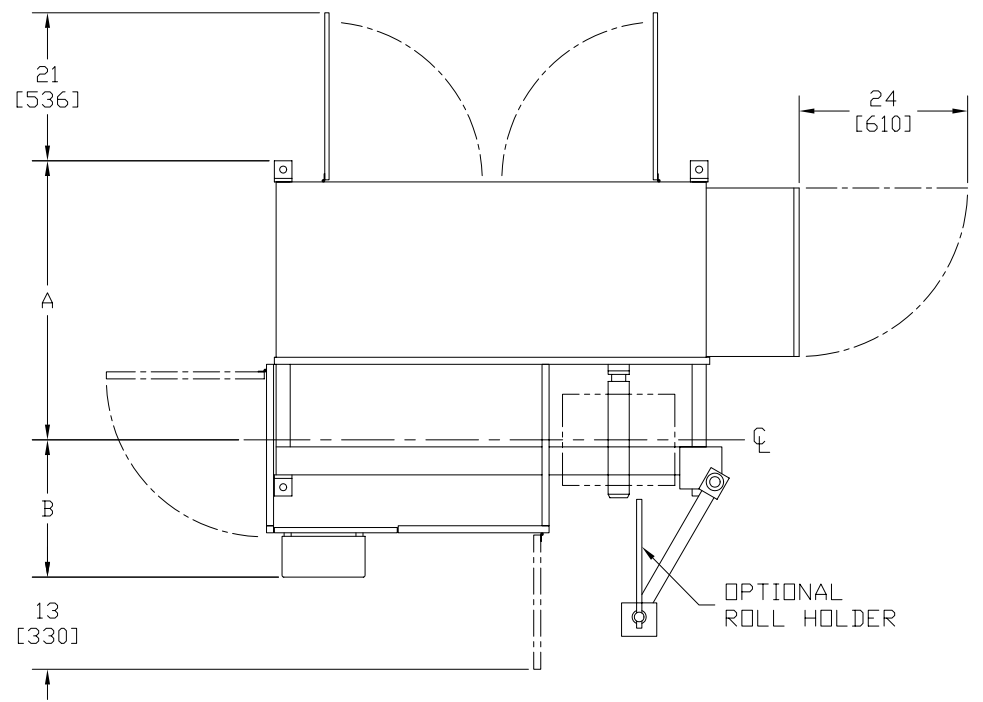


MODEL	WW IN [MM]	SPEED FPM [MPM]	ROLL WT LB [KG]	ROLL DIA IN [MM]	A IN [MM]	B IN [MM]
KR1312-05	13 [330]	500 [152]	100 [45]	12 [304]	40 [1016]	20 [508]
KR1612-05	16 [406]	500 [152]	100 [45]	12 [304]	42 [1067]	22 [559]
KR2012-05	20 [508]	500 [152]	100 [45]	12 [304]	44 [1118]	24 [610]
KR1316-05	13 [330]	500 [152]	100 [45]	16 [406]	40 [1016]	20 [508]
KR1616-05	16 [406]	500 [152]	100 [45]	16 [406]	42 [1067]	22 [559]
KR2016-05	20 [508]	500 [152]	100 [45]	16 [406]	44 [1118]	24 [610]



RIGHT HAND UNIT SHOWN
 EST. SHIPPING WEIGHT: 4,300 LBS
 [1950 KG]
 EST. SHIPPING DIM: 90 X 108 X 89 IN
 [2286 X 2743 X 2261 MM]

PROPOSAL DRAWING: DIMENSIONS AND SPECIFICATIONS SUBJECT TO CHANGE WITHOUT NOTICE

 Keene Technology, Inc. 14357 Commercial Pkwy. South Beloit, IL 61080 (815)624-8989	TITLE: KR TURRET REWINDERS	DRAWN BY: CJP	DWG. NUMBER: PR818	REVISIONS		
		DATE: 7/25/12	PAGE: 1 OF 1	REV.	DESCRIPTION	DATE