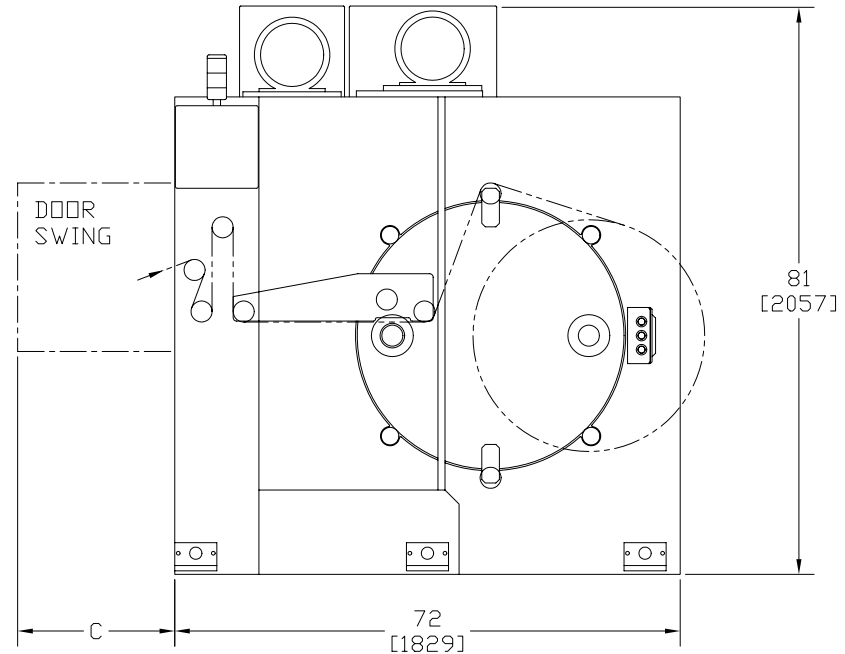
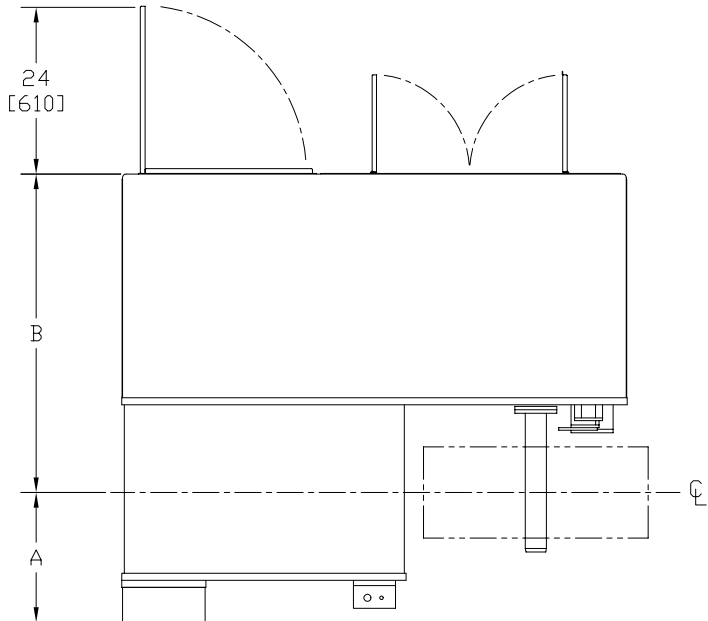


MODEL	WW IN [MM]	SPEED FPM [MPM]	ROLL WT LB [KG]	ROLL DIA IN [MM]	A IN [MM]	B IN [MM]	C IN [MM]
KR1332-07	13 [330]	700 [213]	600 [272]	32 [813]	18.5 [470]	45.5 [1155]	22 [559]
KR2032-07	20 [508]	700 [213]	100 [45]	32 [812]	22 [559]	49 [1244]	29 [737]



RIGHT HAND UNIT SHOWN

EST. SHIPPING WEIGHT: 5,500 LBS
[2495 KG]
EST. SHIPPING DIM: 92 X 84 X 94 IN
[2337 X 2134 X 2388 MM]

PROPOSAL DRAWING: DIMENSIONS AND SPECIFICATIONS SUBJECT TO CHANGE WITHOUT NOTICE

 Keene Technology, Inc. 14357 Commercial Pkwy. South Beloit, IL 61080 (815)624-8989	TITLE: KR2 TURRET REWINDERS	DRAWN BY: CJP	DWG. NUMBER: PR819	REVISIONS	
		DATE: 7/25/12	PAGE: 1 OF 1	REV.	DESCRIPTION