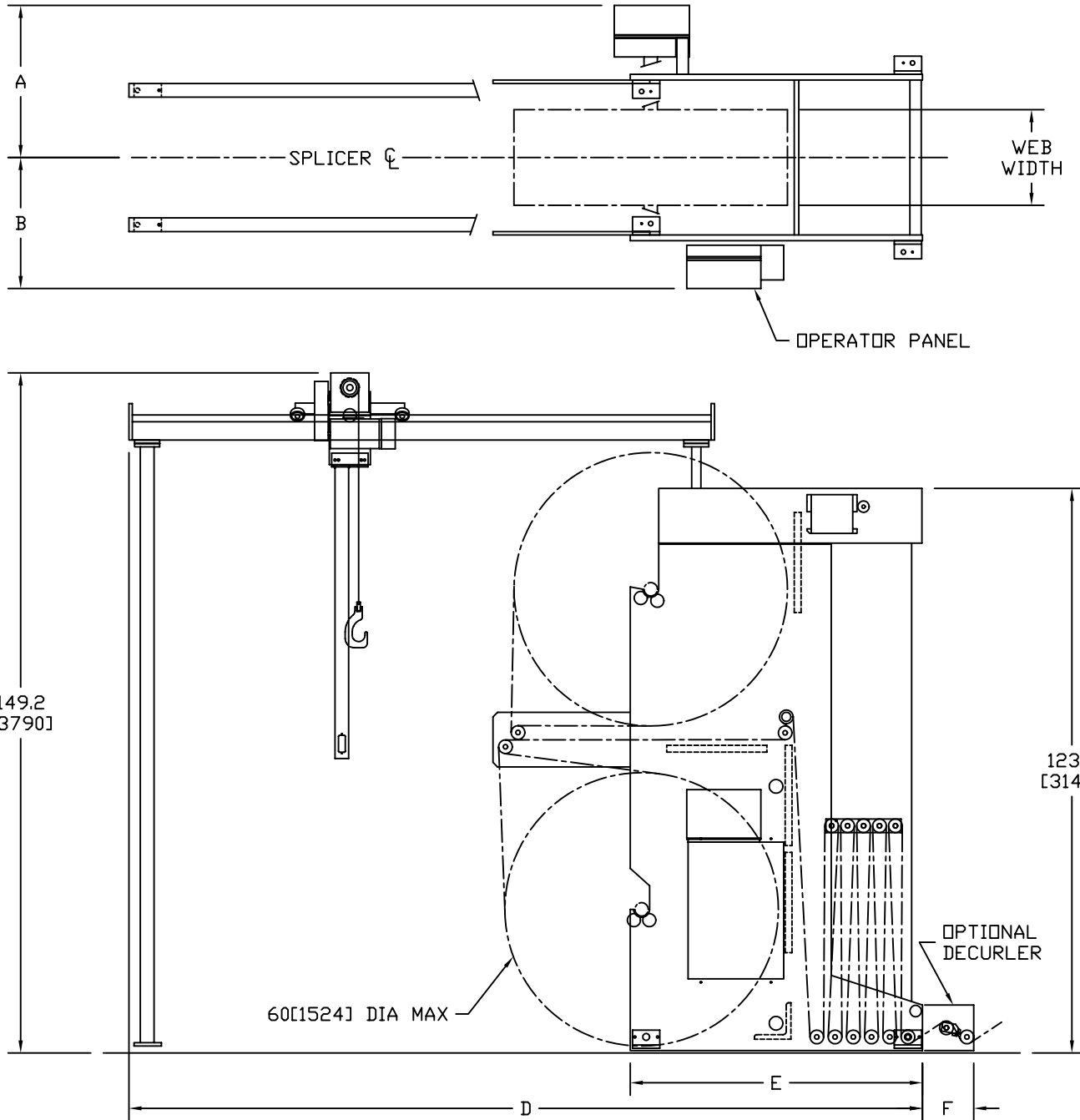


MODEL	WW IN [MM]	SPEED FPM [MPM]	ROLL WT LB [KG]	A IN [MM]	B IN [MM]	C IN [MM]	D IN [MM]	E IN [MM]	F IN [MM]
LE2160-10	21 [533]	1000 [304]	1200 [544]	33.4 [848]	28.7 [730]	123.9 [3146]	174.1 [4423]	64.1 [1629]	11.3 [286]
LE2160-12	21 [533]	1200 [365]	1200 [544]	33.4 [848]	28.7 [730]	123.9 [3146]	176.9 [4494]	66.9 [1700]	8.4 [214]
LE2160-15	21 [533]	1500 [456]	1200 [544]	33.4 [848]	28.7 [730]	143.0 [3632]	176.9 [4494]	66.9 [1700]	8.4 [214]
LE2860-10	28 [711]	1000 [304]	1800 [816]	36.4 [924]	31.7 [806]	123.9 [3146]	174.1 [4423]	64.1 [1629]	11.3 [286]
LE2860-12	28 [711]	1200 [365]	1800 [816]	36.4 [924]	31.7 [806]	123.9 [3146]	176.9 [4494]	66.9 [1700]	8.4 [214]

RIGHT HAND UNIT SHOWN

EST. SHIPPING WEIGHT: 9000 LBS
[4082 KG]



PROPOSAL DRAWING; NOT FOR ENGINEERING REFERENCE

KTI Keene Technology, Inc.
14357 Commercial Pkwy.
South Beloit, IL 61080
(815)624-8989

TITLE: LE ZERO SPEED SPLICERS

DRAWN BY: CJP
DATE: 11/12/98
DWG. NUMBER: PR434
PAGE: 1 OF 1

REVISIONS		
REV.	DESCRIPTION	DATE
A	ADDED LE2860-12	11/18/02
B	ADDED LE2160-15	1/25/06