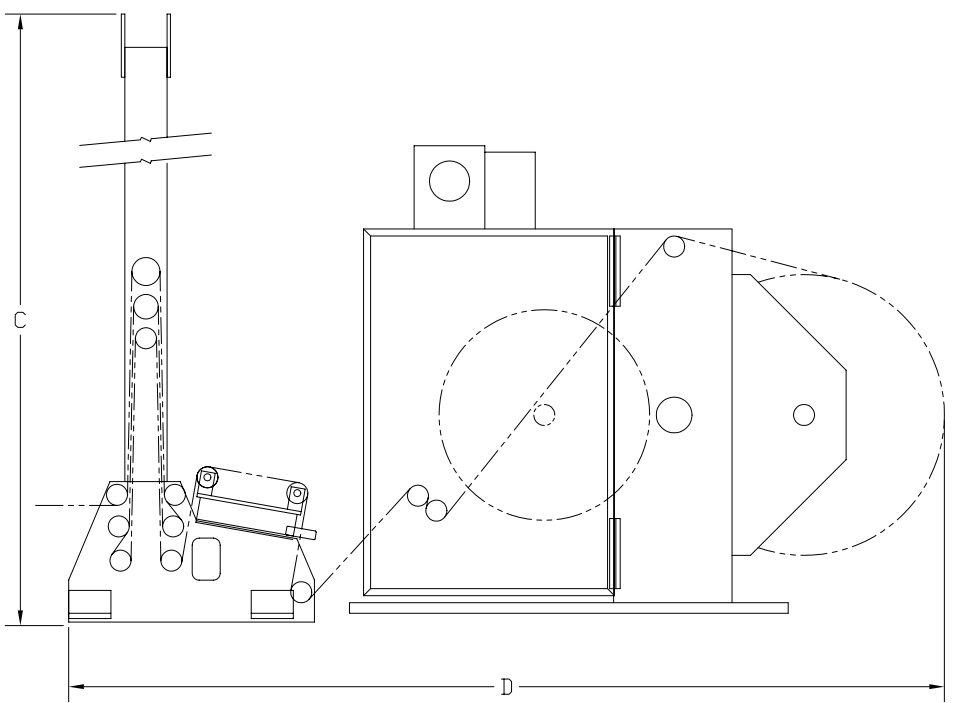
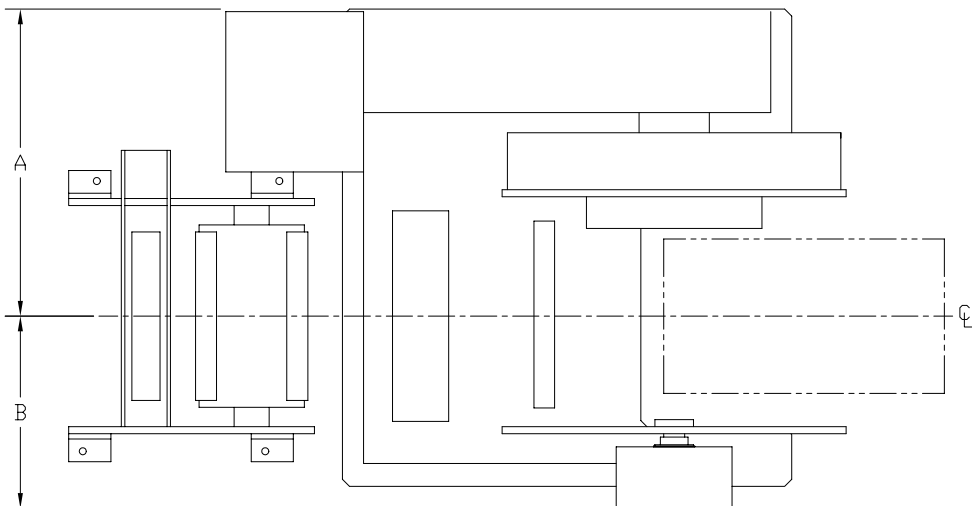


MODEL	WW IN [MM]	SPEED FPM [MPM]	ROLL WT LB [KG]	ROLL DIA IN [MM]	A IN [MM]	B IN [MM]	C IN [MM]	D IN [MM]
MR2240-05	22 [558]	500 [152]	800 [362]	40 [1016]	44 [1118]	31 [782]	101 [2565]	125 [3175]
MR2240-10	22 [558]	1000 [304]	800 [362]	40 [1016]	44 [1118]	31 [782]	121 [3073]	140 [3556]
MR2740-05	27 [685]	500 [152]	1200 [544]	40 [1016]	46 [1168]	33 [846]	101 [2565]	125 [3175]
MR2740-10	27 [685]	1000 [304]	1200 [544]	40 [1016]	46 [1168]	33 [846]	121 [3073]	140 [3556]
MR3240-05	32 [812]	500 [152]	1500 [680]	40 [1016]	49 [1245]	36 [914]	101 [2565]	125 [3175]
MR3240-10	32 [812]	1000 [304]	1500 [680]	40 [1016]	49 [1245]	36 [914]	121 [3073]	140 [3556]
MR2250-05	22 [558]	500 [152]	1200 [544]	50 [1270]	44 [1118]	31 [782]	101 [2565]	140 [3556]
MR2250-10	22 [558]	1000 [304]	1200 [544]	50 [1270]	44 [1118]	31 [782]	121 [3073]	155 [3937]
MR2750-05	27 [685]	500 [152]	1800 [816]	50 [1270]	46 [1168]	33 [846]	101 [2565]	140 [3556]
MR2750-10	27 [685]	1000 [304]	1800 [816]	50 [1270]	46 [1168]	33 [846]	121 [3073]	155 [3937]



RIGHT HAND UNIT SHOWN

EST. SHIPPING WEIGHT: 10,000 LBS
[4536 KG]

EST. SHIPPING DIM: 90 X 168 X 89 IN
[2286 X 4267 X 2261 MM]

PROPOSAL DRAWING: DIMENSIONS AND SPECIFICATIONS SUBJECT TO CHANGE WITHOUT NOTICE

EKTIE Keene Technology, Inc.
14357 Commercial Pkwy.
South Beloit, IL 61080
(815)624-8989

TITLE: MR2 TURRET REWINDERS

DRAWN BY: CJP

DWG. NUMBER: PR817

DATE: 7/24/12

PAGE: 1 OF 1

REVISIONS		
REV.	DESCRIPTION	DATE