

OVERVIEW

Provides a Combination at High Performance and Robust Construction

Available in Cantilever and Shafted Designs

Enhanced Fault Detection and Messaging

Designed for the Global Market

UW SERIES

Single Position Unwinds

STANDARD FEATURES

- Safety Conscious Design
- Automatic Process Stop for Web Breaks
- Automatic Process Stop at Pre-Determined Roll Diameter
- Dancer Roller with Adjustable Tension Control
- Manual Sidelay Adjustment
- Bi-Directional Unwind Capability
- Integrated Hoist – Shafted Design
- Programmable Logic Control System (PLC)

SPECIFICATIONS

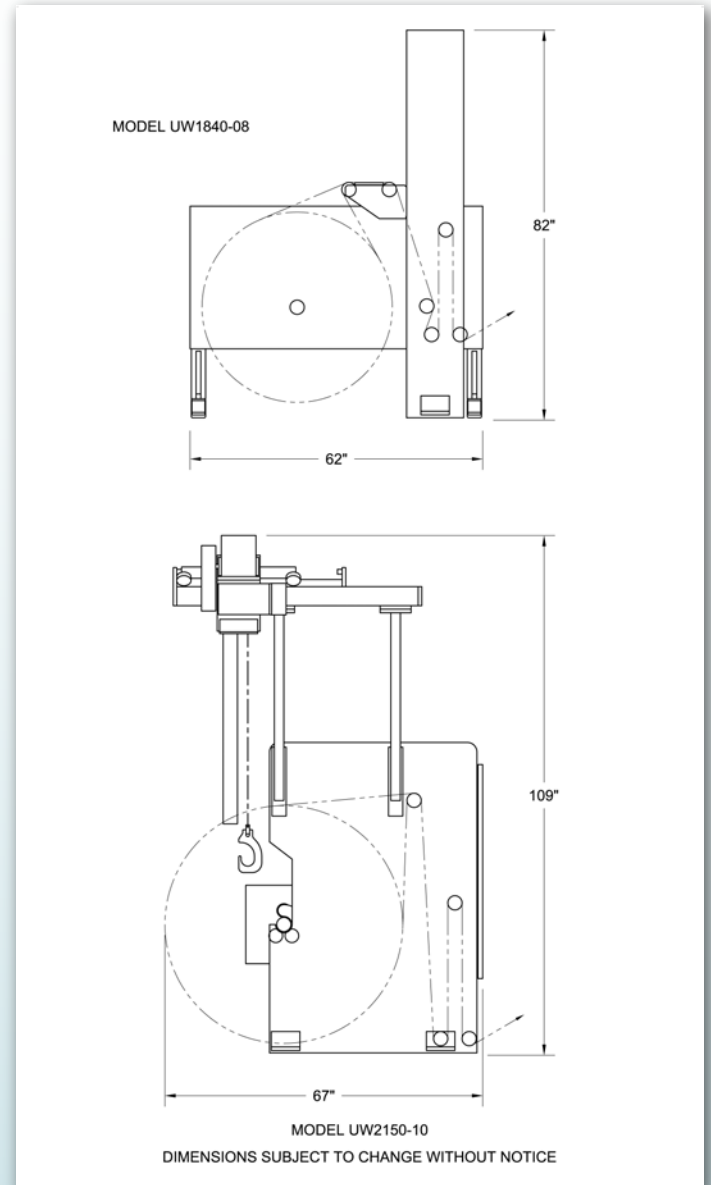
- Web Width: Up to 27 inch (685 mm)
- Roll Diameter: Up to 50 inch (1270 mm)
- Running Speed: Up to 1000 FPM (304 MPM)
- Materials: Paper, Label, Tag, and Many Other Specialty Materials

OPTIONS

- Integrated Manual Splice Table
- Automatic Decurler
- Roll Loading Cart – Cantilever Style



Shafted Unwind Stand



EKTI
A QUANTUM DESIGN COMPANY

14357 Commercial Parkway
South Beloit, IL 61080
Phone: (815) 624-8989
Fax: (815) 624-4223
Website: www.KeeneTech.com
Email: info@keenetech.com