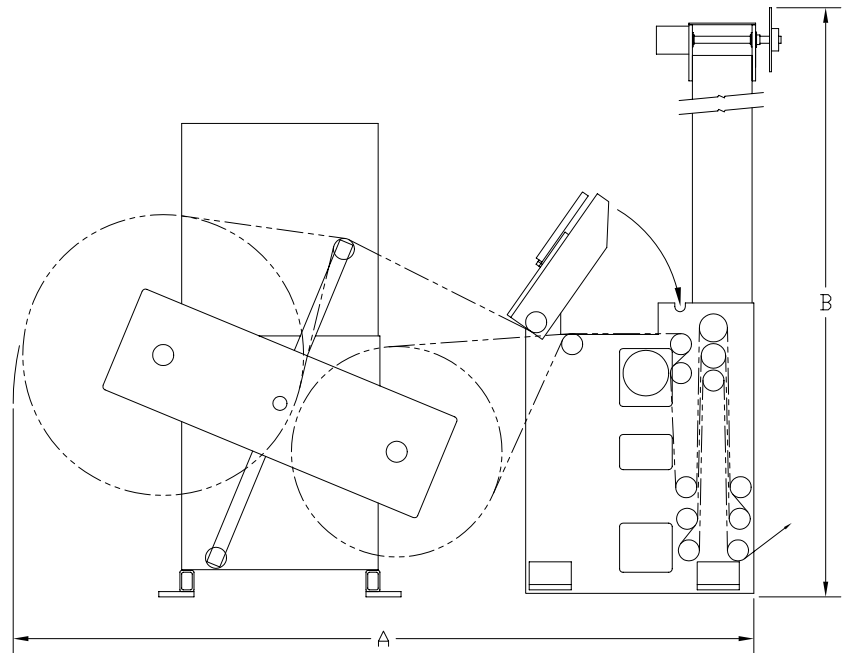
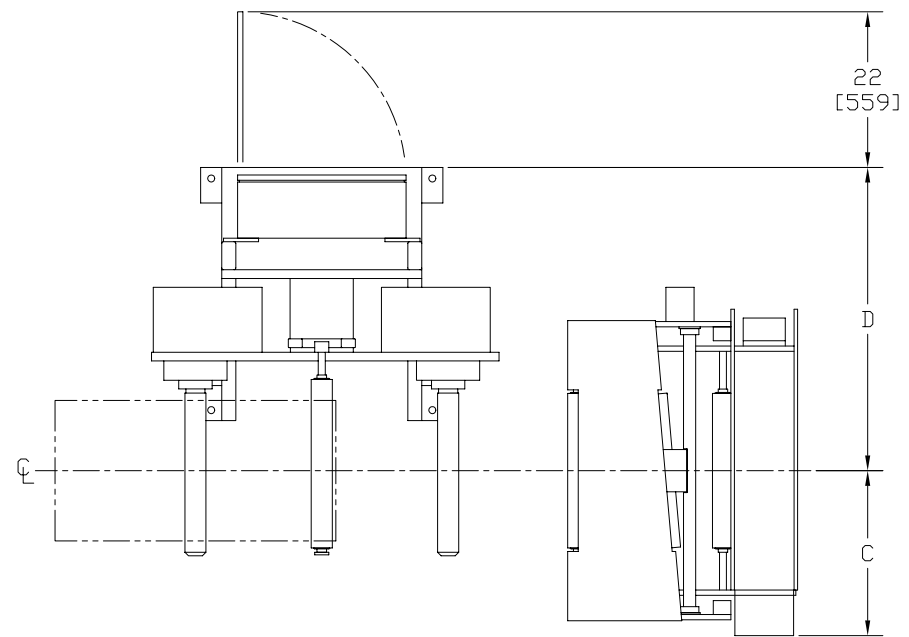


MODEL	WW IN [MM]	SPEED FPM [MPM]	ROLL WT LB [KG]	ROLL DIA IN [MM]	A IN [MM]	B IN [MM]	C IN [MM]	D IN [MM]
ZC1340-05	13 [330]	500 [152]	600 [272]	40 [1016]	106 [2692]	120 [3048]	20.5 [521]	39.6 [1006]
ZC1640-05	16 [406]	500 [152]	800 [362]	40 [1016]	106 [2692]	120 [3048]	23.5 [597]	41.2 [1046]
ZC1640-10	16 [406]	1000 [304]	800 [362]	40 [1016]	122 [3099]	144 [3658]	23.5 [597]	41.2 [1046]
ZC2040-05	20 [508]	500 [152]	1000 [453]	40 [1016]	106 [2692]	120 [3048]	23.5 [597]	43.2 [1097]
ZC2040-10	20 [508]	1000 [304]	1000 [453]	40 [1016]	122 [3099]	144 [3658]	23.5 [597]	43.2 [1097]
ZC1350-05	13 [330]	500 [152]	800 [362]	50 [1270]	121 [3073]	120 [3048]	20.5 [521]	39.6 [1006]
ZC1650-05	16 [406]	500 [152]	1000 [453]	50 [1270]	121 [3073]	120 [3048]	23.5 [597]	41.2 [1046]
ZC1650-10	16 [406]	1000 [304]	1000 [453]	50 [1270]	137 [3480]	144 [3658]	23.5 [597]	41.2 [1046]
ZC2050-05	20 [508]	500 [152]	1000 [453]	50 [1270]	121 [3073]	120 [3048]	23.5 [597]	43.2 [1097]
ZC2050-10	20 [508]	1000 [304]	1000 [453]	50 [1270]	137 [3480]	144 [3658]	23.5 [597]	43.2 [1097]



RIGHT HAND UNIT SHOWN

EST. SHIPPING WEIGHT: 6,000 to 8,000 LBS
[2722 to 3629 KG]

EST. SHIPPING DIM: VARIES

PROPOSAL DRAWING: DIMENSIONS AND SPECIFICATIONS SUBJECT TO CHANGE WITHOUT NOTICE

EKTIE Keene Technology, Inc.
14357 Commercial Pkwy.
South Beloit, IL 61080
(815)624-8989

TITLE: ZC BUTT SPLICERS

DRAWN BY: CJP
DATE: 8/1/12
DWG. NUMBER: PR820
PAGE: 1 OF 1

REVISIONS		
REV.	DESCRIPTION	DATE