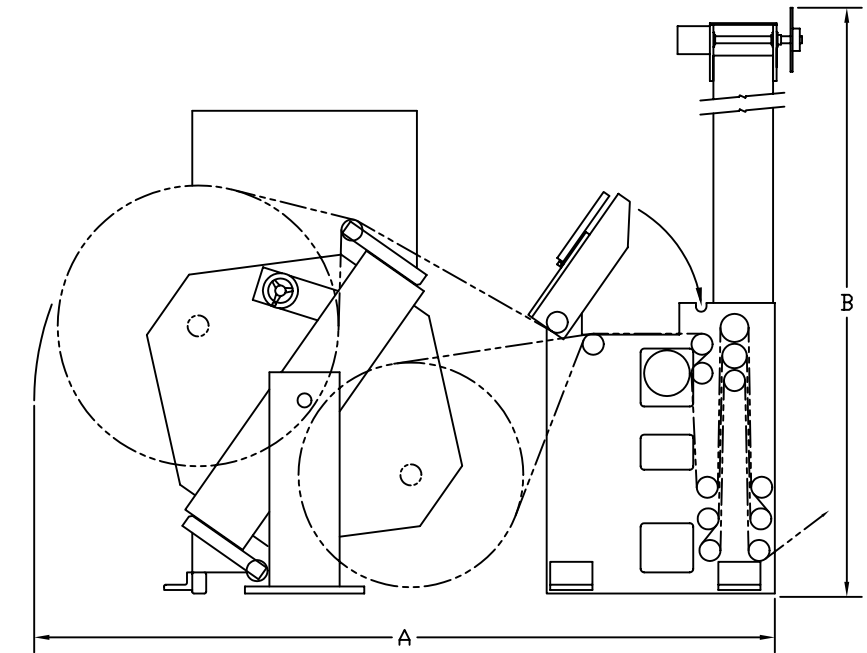
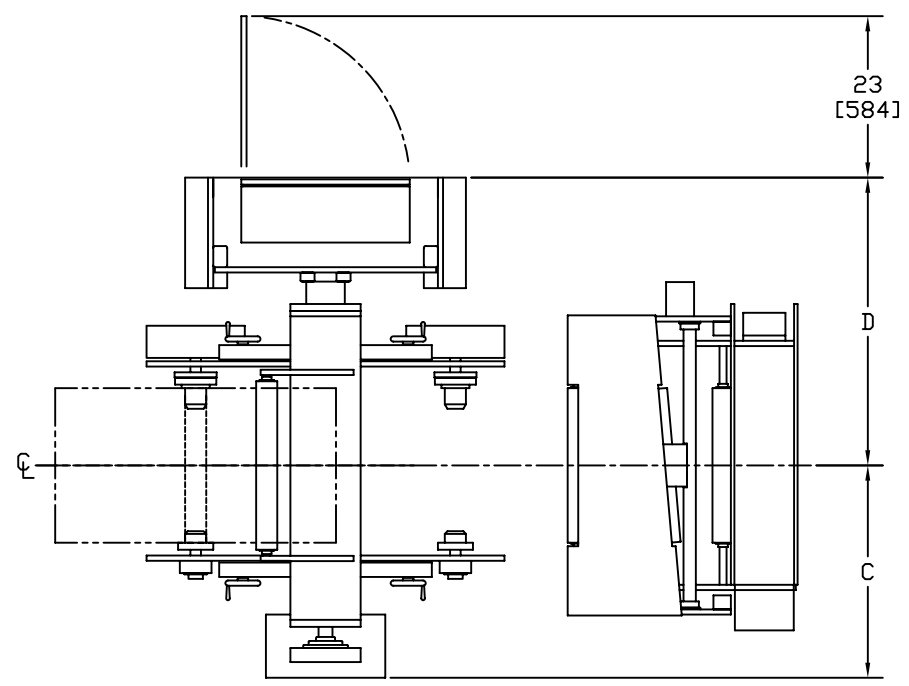


MODEL	WW IN [MM]	SPEED FPM [MPM]	ROLL WT LB [KG]	ROLL DIA IN [MM]	A IN [MM]	B IN [MM]	C IN [MM]	D IN [MM]
ZG1640-05	16 [406]	500 [152]	800 [362]	40 [1016]	106 [2692]	120 [3048]	31.5 [800]	38.0 [965]
ZG1640-10	16 [406]	1000 [304]	800 [362]	40 [1016]	122 [3099]	144 [3658]	31.5 [800]	38.0 [965]
ZG2240-05	22 [558]	500 [152]	1000 [453]	40 [1016]	106 [2692]	120 [3048]	34.5 [876]	41.0 [1041]
ZG2240-10	22 [558]	1000 [304]	1000 [453]	40 [1016]	122 [3099]	144 [3658]	34.5 [876]	41.0 [1041]
ZG1650-05	16 [406]	500 [152]	1000 [453]	50 [1270]	121 [3073]	120 [3048]	31.5 [800]	38.0 [965]
ZG1650-10	16 [406]	1000 [304]	1000 [453]	50 [1270]	137 [3480]	144 [3658]	31.5 [800]	38.0 [965]
ZG2250-05	22 [558]	500 [152]	1200 [544]	50 [1270]	121 [3073]	120 [3048]	34.5 [876]	41.0 [1041]
ZG2250-10	22 [558]	1000 [304]	1200 [544]	50 [1270]	137 [3480]	144 [3658]	34.5 [876]	41.0 [1041]



RIGHT HAND UNIT SHOWN

EST. SHIPPING WEIGHT: 6,000 to 8,000 LBS
[2722 to 3629 KG]

EST. SHIPPING DIM: VARIES

PROPOSAL DRAWING: DIMENSIONS AND SPECIFICATIONS SUBJECT TO CHANGE WITHOUT NOTICE

EKTIE Keene Technology, Inc.
14357 Commercial Pkwy.
South Beloit, IL 61080
(815)624-8989

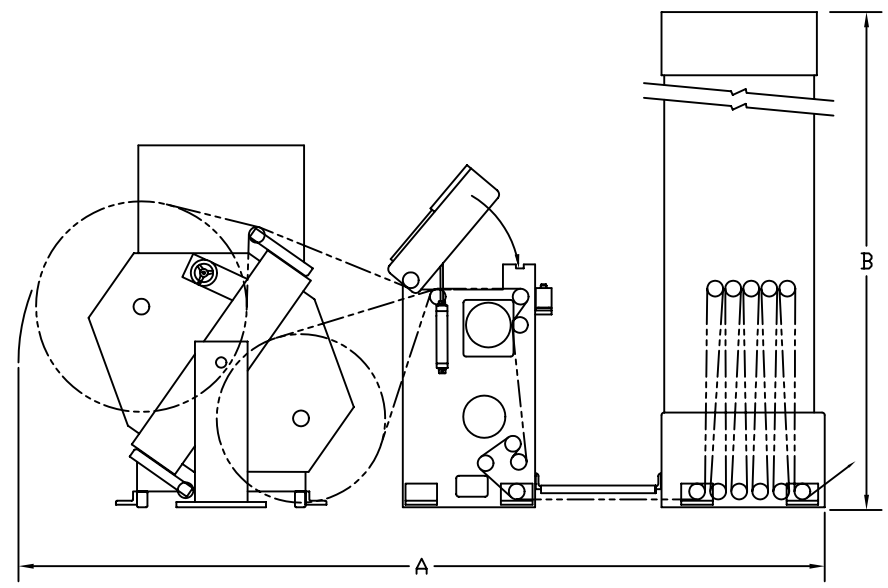
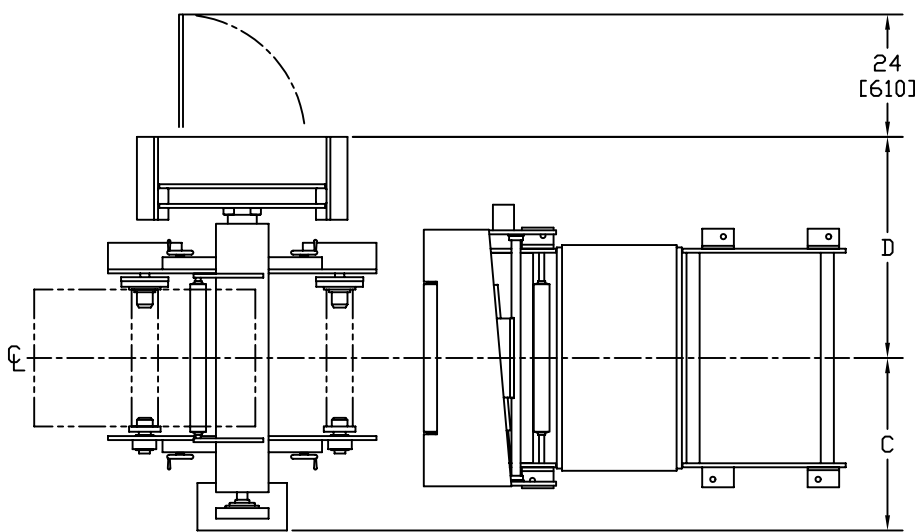
TITLE:
ZG BUTT SPLICERS

DRAWN BY:
CJP
DATE:
8/1/12

DWG. NUMBER:
PR821
PAGE:
1 OF 2

REVISIONS		
REV.	DESCRIPTION	DATE

MODEL	WW IN [MM]	SPEED FPM [MPM]	ROLL WT LB [KG]	ROLL DIA IN [MM]	A IN [MM]	B IN [MM]	C IN [MM]	D IN [MM]
ZG2640-08	26 [660]	800 [243]	1200 [544]	40 [1016]	152 [3861]	118 [2997]	33 [838]	42 [1067]
ZG2640-10	26 [660]	1000 [304]	1200 [544]	40 [1016]	155 [3937]	144 [3658]	33 [838]	42 [1067]
ZG3240-08	32 [812]	800 [243]	1500 [680]	40 [1016]	158 [4013]	146 [3708]	36 [914]	47 [1194]
ZG3240-10	32 [812]	1000 [304]	1500 [680]	40 [1016]	162 [4115]	146 [3708]	36 [914]	47 [1194]
ZG2650-08	26 [660]	800 [243]	1800 [816]	50 [1270]	168 [4268]	144 [3658]	40 [1016]	57 [1448]
ZG2650-10	26 [660]	1000 [304]	1800 [816]	50 [1270]	171 [4343]	144 [3658]	40 [1016]	57 [1448]
ZG3250-08	32 [812]	800 [243]	2200 [998]	50 [1270]	172 [4369]	146 [3708]	43 [1092]	60 [1524]
ZG3250-10	32 [812]	1000 [304]	2200 [998]	50 [1270]	176 [4470]	154 [3912]	43 [1092]	60 [1524]



RIGHT HAND UNIT SHOWN

EST. SHIPPING WEIGHT: 8,000 to 12,000 LBS
[3629 to 5443 KG]

EST. SHIPPING DIM: VARIES

PROPOSAL DRAWING: DIMENSIONS AND SPECIFICATIONS SUBJECT TO CHANGE WITHOUT NOTICE

NTS

EKTI
Keene Technology, Inc.
 14357 Commercial Pkwy.
 South Beloit, IL 61080
 (815)624-8989

TITLE:	ZG BUTT SPLICERS
--------	------------------

DRAWN BY:	CJP	DWG. NUMBER:	PR821
DATE:	8/1/12	PAGE:	2 OF 2

REVISIONS		
REV.	DESCRIPTION	DATE