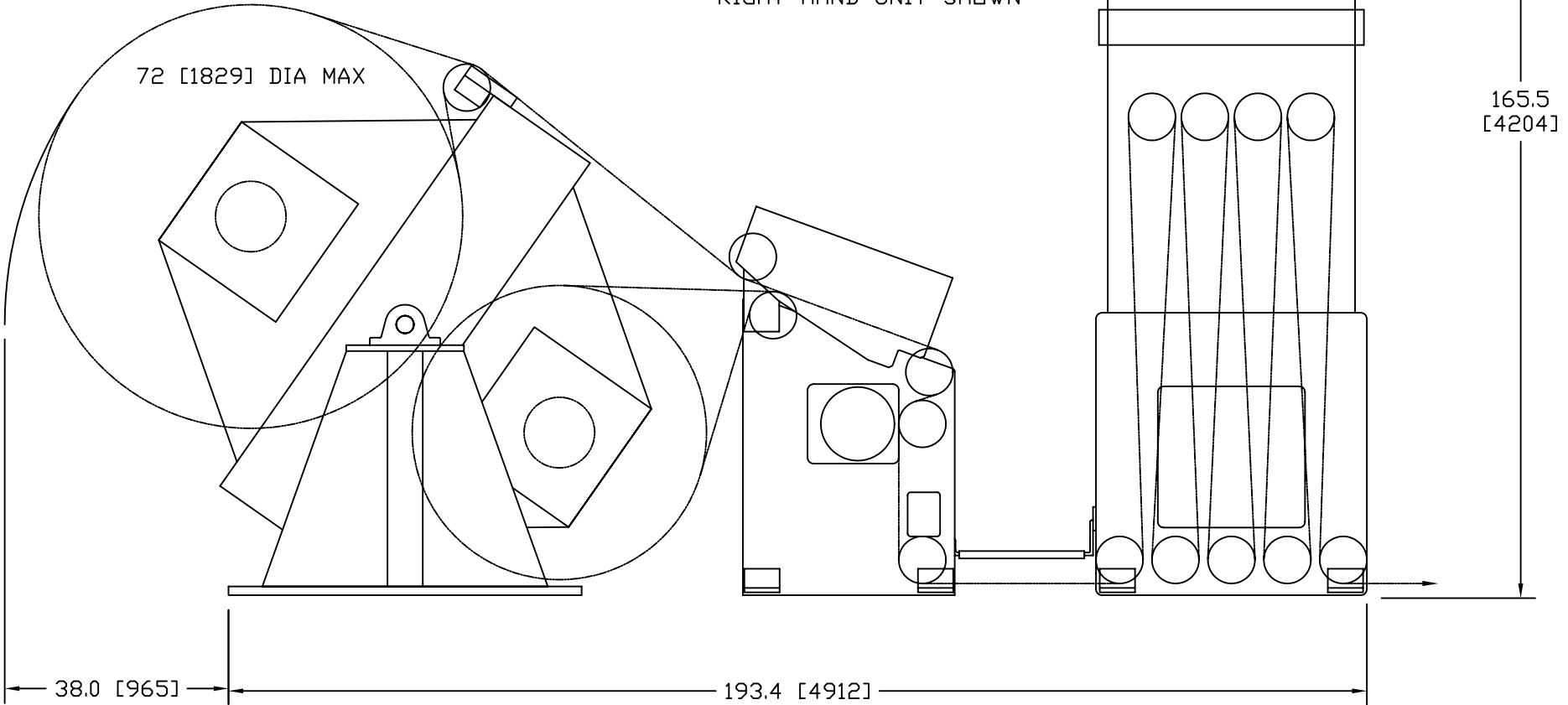


MODEL	WW IN [MM]	SPEED FPM [MPM]	ROLL WT LB [KG]	A IN [MM]	B IN [MM]	C IN [MM]	D IN [MM]
ZH2272-05	22 [558]	500 [152]	3000 [1360]	66.0 [1676]	40.0 [1016]	27.4 [695]	24.5 [622]
ZH2672-05	26 [660]	500 [152]	3400 [1542]	68.0 [1727]	42.0 [1067]	27.4 [695]	24.5 [622]
ZH3272-05	32 [812]	500 [152]	4200 [1905]	72.0 [1829]	46.0 [1168]	31.4 [797]	28.5 [724]
ZH4072-05	40 [1016]	500 [152]	5200 [2358]	76.0 [1930]	50.0 [1270]	35.4 [899]	32.5 [826]
ZH5072-05	50 [1270]	500 [152]	6400 [2903]	81.0 [2058]	55 [1397]	40.4 [1026]	37.5 [953]

RIGHT HAND UNIT SHOWN



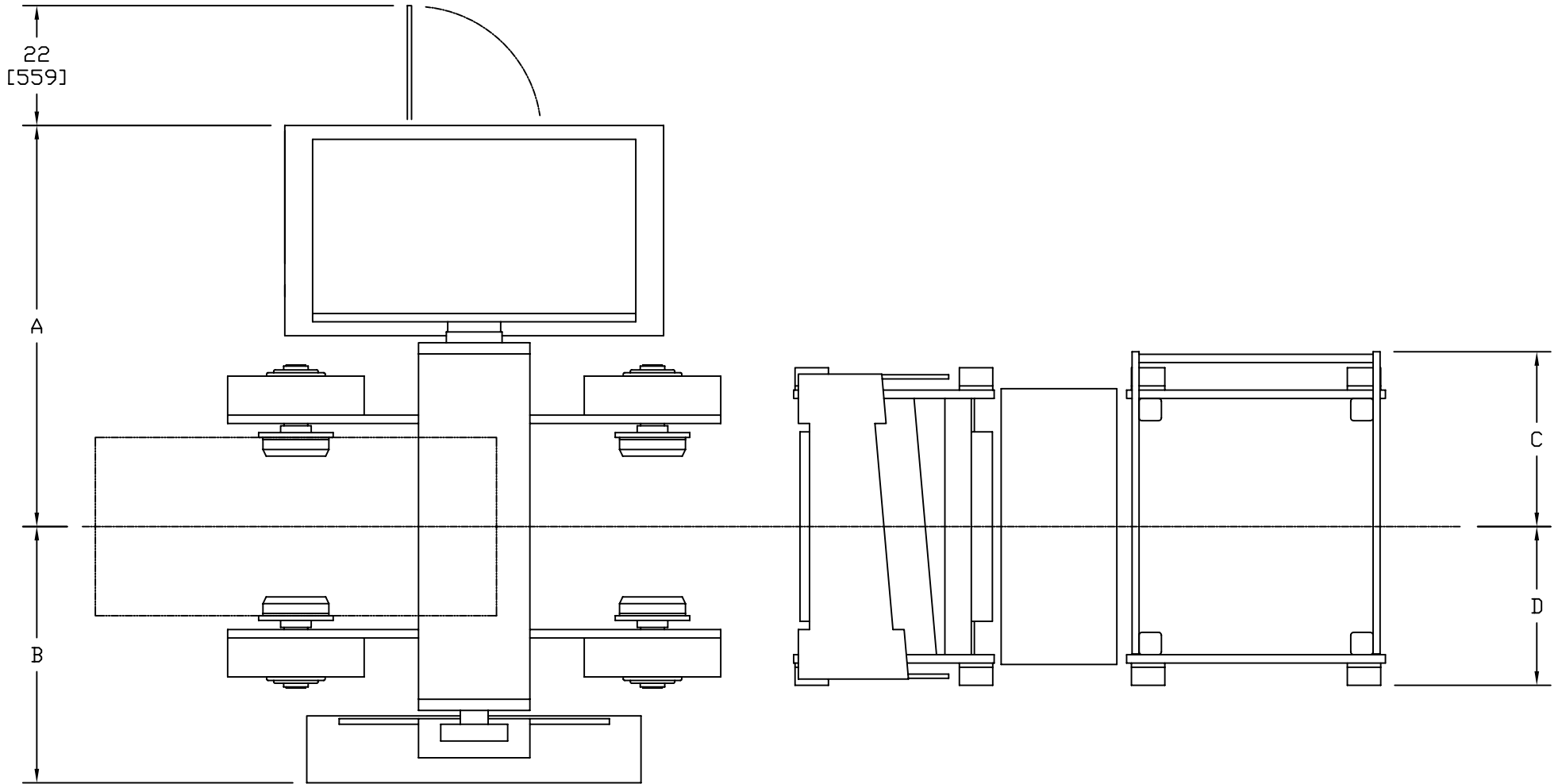
PROPOSAL DRAWING: DIMENSIONS AND SPECIFICATIONS SUBJECT TO CHANGE WITHOUT NOTICE

**EKTI** Keene Technology, Inc.  
14357 Commercial Pkwy.  
South Beloit, IL 61080  
(815)624-8989

TITLE: ZGH SHAFTLESS BUTT SPLICER

DRAWN BY: CJP  
DATE: 8/31/12  
DWG. NUMBER: PR823  
PAGE: 1 OF 2

REVISIONS		
REV.	DESCRIPTION	DATE



PROPOSAL DRAWING: DIMENSIONS AND SPECIFICATIONS SUBJECT TO CHANGE WITHOUT NOTICE

**KTIE**  
**Keene Technology, Inc.**  
 14357 Commercial Pkwy.  
 South Beloit, IL 61080  
 (815)624-8989

TITLE:  
 ZGH SHAFTLESS BUTT SPLICER

DRAWN BY:  
 CJP

DATE:  
 8/31/12

DWG. NUMBER:  
 PR823

PAGE:  
 2 OF 2

REVISIONS		
REV.	DESCRIPTION	DATE