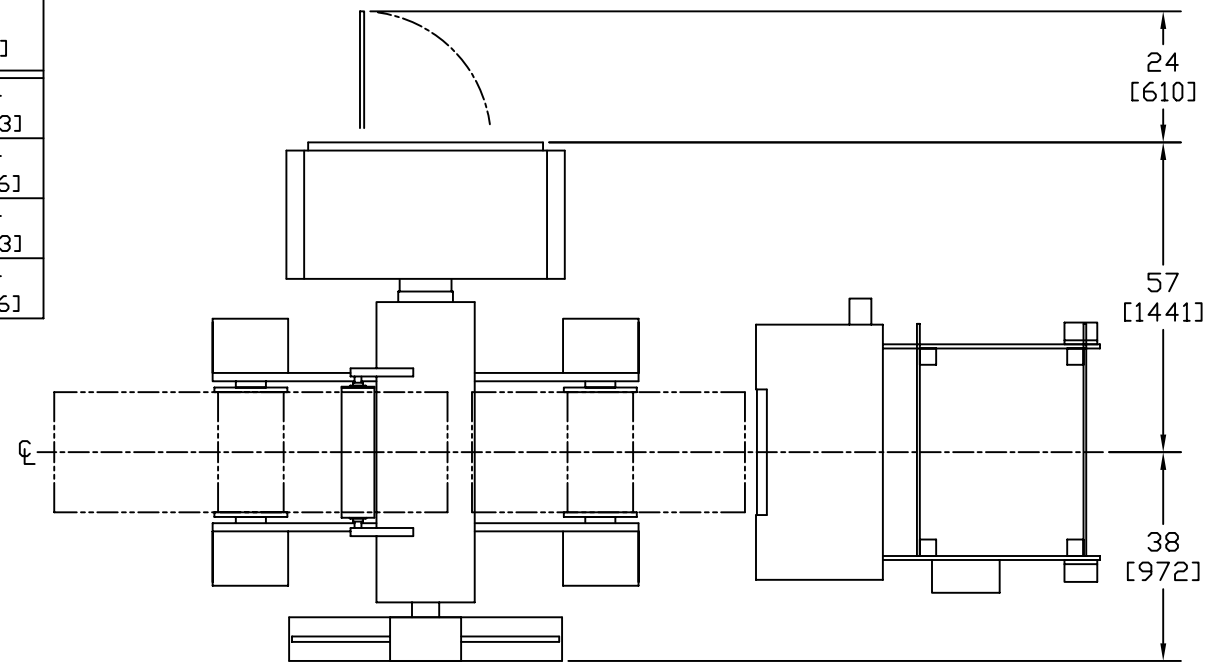
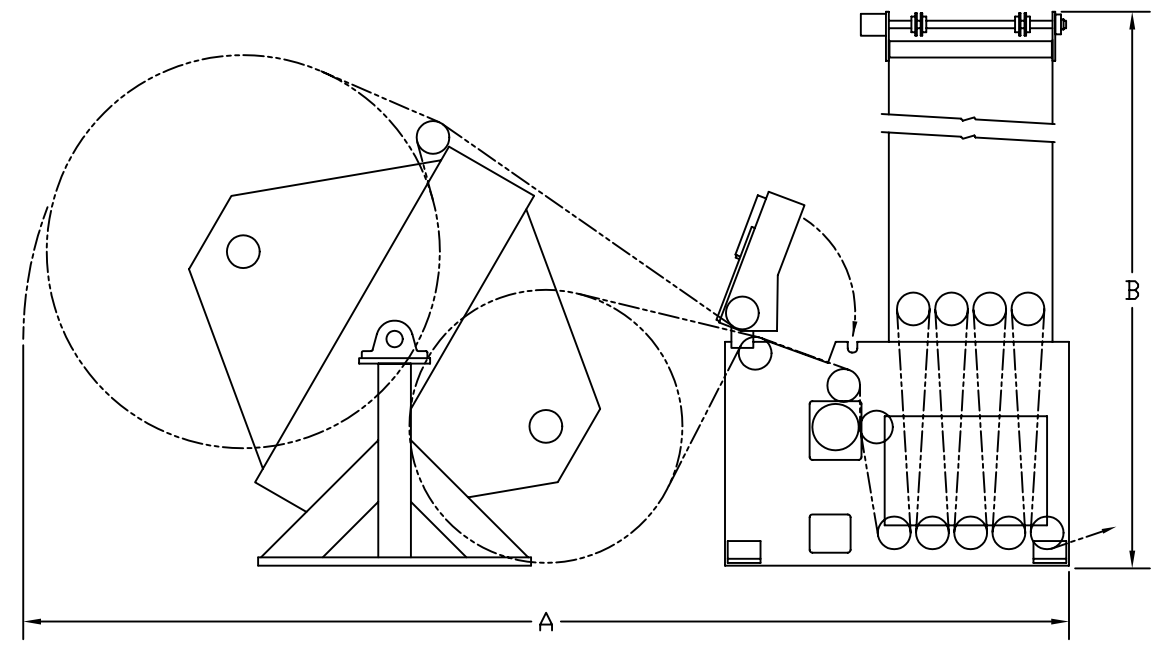


MODEL	WW IN [MM]	SPEED FPM [MPM]	ROLL WT LB [KG]	ROLL DIA IN [MM]	A IN [MM]	B IN [MM]
ZGL2260-05	22 [558]	500 [152]	2000 [907]	60 [1524]	170 [4318]	134 [3403]
ZGL2260-10	22 [558]	1000 [304]	2000 [907]	60 [1524]	184 [4674]	164 [4166]
ZGL2272-05	22 [558]	500 [152]	3000 [1360]	72 [1829]	191.5 [4861]	134 [3403]
ZGL2272-10	22 [558]	1000 [304]	3000 [1360]	72 [1829]	205.5 [5220]	164 [4166]



RIGHT HAND UNIT SHOWN



PROPOSAL DRAWING: DIMENSIONS AND SPECIFICATIONS SUBJECT TO CHANGE WITHOUT NOTICE

EKTIE
Keene Technology, Inc.
 14357 Commercial Pkwy.
 South Beloit, IL 61080
 (815)624-8989

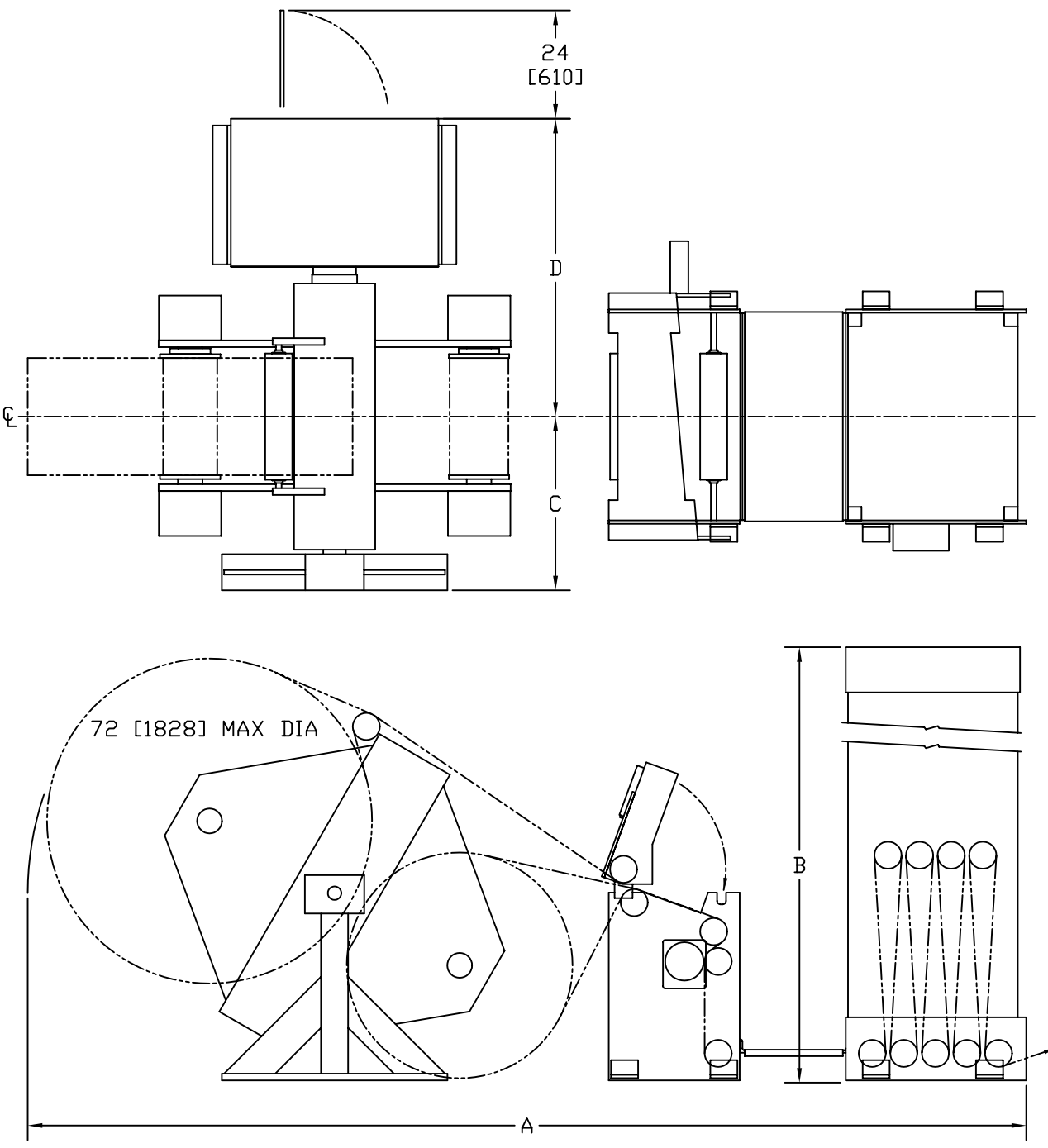
TITLE:
 ZGL BUTT SPLICERS

DRAWN BY:
 CJP
 DWG. NUMBER:
 PR822
 DATE:
 8/31/12
 PAGE:
 1 OF 2

REVISIONS		
REV.	DESCRIPTION	DATE

MODEL	W/W IN [MM]	SPEED FPM [MPM]	ROLL WT LB [KG]	A IN [MM]	B IN [MM]	C IN [MM]	D IN [MM]
ZGL2672-05	26 [660]	500 [152]	3400 [1542]	221 [5620]	122 [3099]	40 [1022]	67 [1702]
ZGL2672-10	26 [660]	1000 [304]	3400 [1542]	235 [5975]	153 [3889]	40 [1022]	67 [1702]
ZGL3272-05	32 [812]	500 [152]	4200 [1905]	221 [5620]	122 [3099]	43 [1099]	70 [1778]
ZGL3272-10	32 [812]	1000 [304]	4200 [1905]	235 [5975]	153 [3889]	43 [1099]	70 [1778]
ZGL4072-05	40 [1016]	500 [152]	5200 [2358]	221 [5620]	122 [3099]	47 [1200]	74 [1880]
ZGL4072-10	40 [1016]	1000 [304]	5200 [2358]	235 [5975]	153 [3889]	47 [1200]	74 [1880]
ZGL5072-05	50 [1270]	500 [152]	6400 [2903]	221 [5620]	122 [3099]	52 [1327]	81 [2054]

RIGHT HAND UNIT SHOWN



PROPOSAL DRAWING: DIMENSIONS AND SPECIFICATIONS SUBJECT TO CHANGE WITHOUT NOTICE

Keene Technology, Inc.
14357 Commercial Pkwy.
South Beloit, IL 61080
(815)624-8989

TITLE:
 ZGL BUTT SPLICERS

DRAWN BY:
 CJP
 DATE:
 8/31/12

DWG. NUMBER:
 PR822
 PAGE:
 2 OF 2

REVISIONS		
REV.	DESCRIPTION	DATE