

ET Series

Envelope Splicer

Overview

The ET series is an excellent fit for FL Smithe RA and W&D 102 envelope machines splicing envelopes with the lap splice made at zero speed, increasing production and reducing waste. The minimum tail splicehead reduces potential jamb ups and the compact design takes up less floor space in the production area.

Standard Features

- Automatic zero speed lap splice at process line speed
- Relay contact to signal web breaks and no splice preparation
- Minimum tail splicehead
- Low riding festoon
- Bi-directional unwind capability
- PLC controls with touch screen
- Two cantilevered spindles with pneumatic core chucks
- Simple splice preparation
- Automatic web acceleration
- Compact design:
57" x 114" floor space

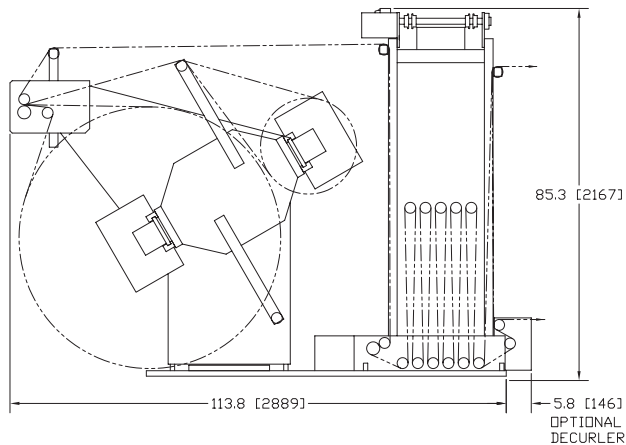


ET Series

Envelope Splicer

Options

- Automatic Decurler
- Roll Loading Cart
- 3 Inch Core Capability
- Remote Diagnostics Ready



DIMENSIONS SUBJECT TO CHANGE WITHOUT NOTICE

Specifications

Web Width • Up to 16 inch (406 mm)
Roll Diameter • Up to 60 inch (1524 mm)
Roll Weight • Up to 1000 lbs (435 kg)
Splice Speed • Up to 1000 FPM (304 mpm)
Core Size • 5 inch

Materials

Envelopes
Various Papers

KTI, A Quantum Design Product Line

14357 Commerical Parkway • South Beloit, IL 61080

P (815) 624-8989 • **F** (815) 624-4223

Web www.ktiusa.com • **Email** info@ktiusa.com