

RW Series

Single Position Rewinds

Overview

This single position rewind offers a safety conscious design and provides a combination of high performance and robust construction. Available in cantilever and shafted designs, this cost-effective machine is easily integrated into any press production.

Standard Features

- Safety conscious designs
- Automatic process stop for web breaks
- Automatic process stop at pre-determined roll diameter
- Bi-directional capability
- Integrated hoist on shafted design
- PLC controls with touch screen

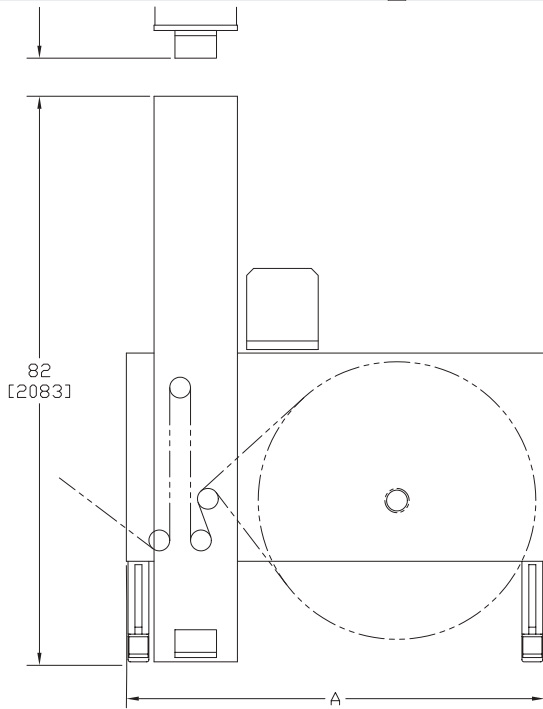


RW Series

Single Position Rewinds

Options

- Roll loading cart – cantilever style
- Remote diagnostics ready



MODEL PC1424-R
DIMENSIONS SUBJECT TO CHANGE WITHOUT NOTICE

Specifications

- Web Width** • Up to 27 inch (685 mm)
- Roll Diameter** • Up to 50 Inch (1270 mm)
- Roll Weight** • Up to 1800 lbs (816 kg)
- Speed** • Up to 1000 FPM (304 mpm)
- Core Size** • 3 Inch

Materials

- Paper
- Labels
- Tags
- Specialty Materials

KTI, A Quantum Design Product Line

7550 Quantum Court • Caledonia, IL 61011

P (815) 885-1300 • **F** (815) 885-1370

Web www.ktiusa.com • **Email** info@ktiusa.com