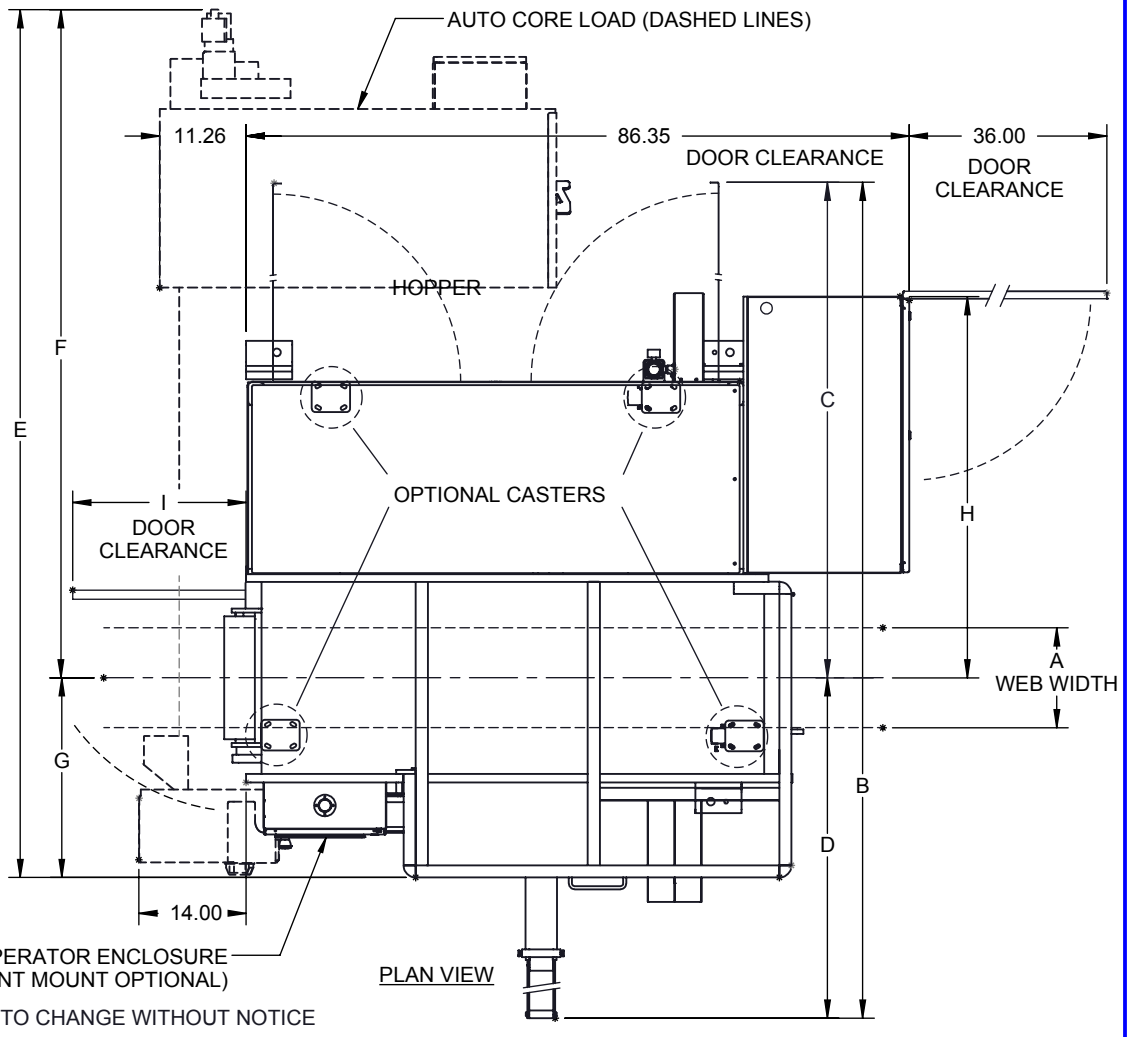
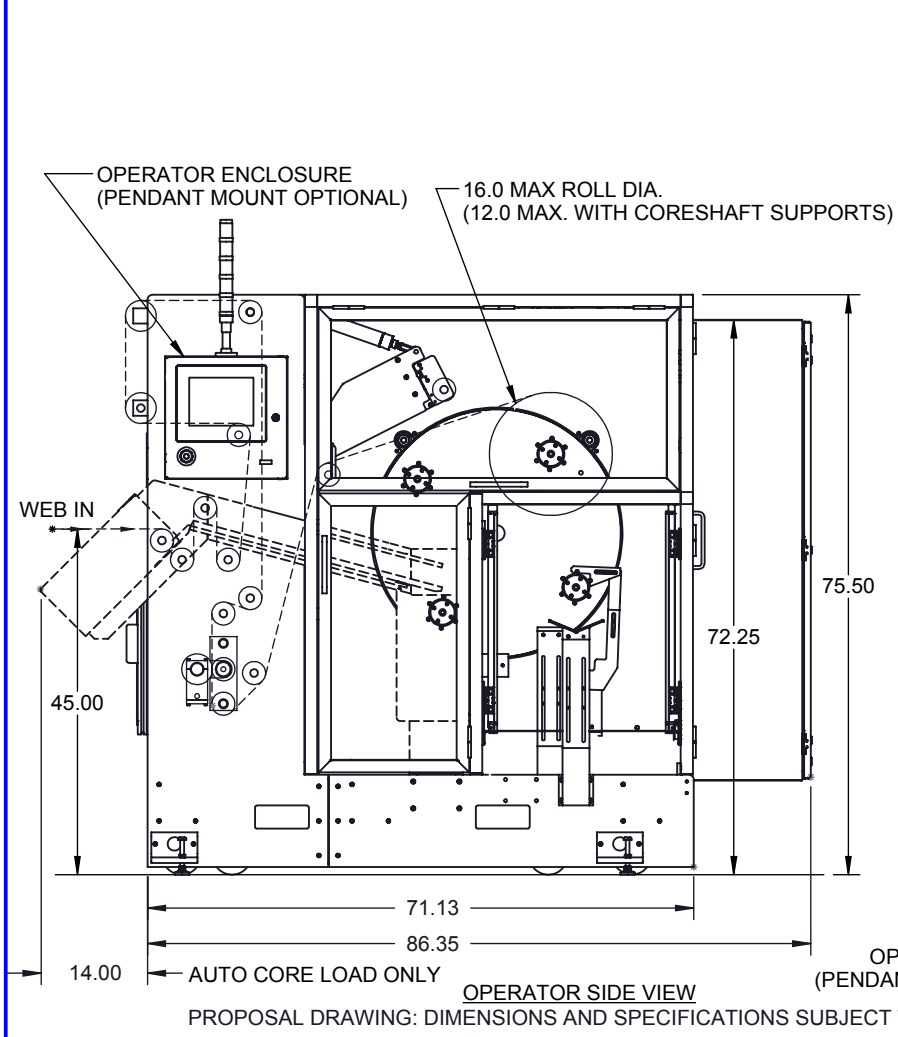


MODEL	A	B	C	D	E	F	G	H	I
MTR1316-07 MANUAL CORE LOAD	13.0	114.0	67.6	46.4	NA	NA	19.8	49.6	24.0
MTR1316-07 AUTO CORE LOAD	13.0	NA	67.6	NA	113.0	87.0	26.0	49.6	24.0
MTR1716-07 MANUAL CORE LOAD	17.0	120.0	69.6	52.4	NA	NA	21.8	51.6	28.0
MTR1716-07 AUTO CORE LOAD	17.0	NA	69.6	NA	117.0	89.0	28.0	51.6	28.0
MTR2016-07 MANUAL CORE LOAD	20.0	128.0	71.1	56.9	NA	NA	23.3	53.1	31.0
MTR2016-07 AUTO CORE LOAD	20.0	NA	71.1	NA	120.0	90.5	29.5	53.1	31.0
MTR2216-07 MANUAL CORE LOAD	22.0	132.0	72.1	59.9	NA	NA	24.3	54.1	33.0
MTR2216-07 AUTO CORE LOAD	22.0	NA	72.1	NA	122.0	91.5	30.5	54.1	33.0



PROPOSAL DRAWING: DIMENSIONS AND SPECIFICATIONS SUBJECT TO CHANGE WITHOUT NOTICE

PROPRIETARY AND CONFIDENTIAL
 THIS DRAWING AND ALL INFORMATION CONTAINED HEREIN IS THE SOLE PROPERTY OF QUANTUM DESIGN, INC. ANY REPRODUCTION, USE, OR DISCLOSURE OF THIS INFORMATION WITHOUT THE EXPRESS WRITTEN CONSENT OF QUANTUM DESIGN INC. IS STRICTLY PROHIBITED.
 QUANTUM DESIGN INC. RESERVES ALL RIGHTS.

REV.	DATE	DESCRIPTION	REV. BY	ECN
NAME: MTRXX16-07 TURRET REWINDER				
DRAWN BY: KES		DATE: 3/20/20	PAGE 1 of 1	DWG. PR885



Quantum Design, Inc.
 7550 Quantum Court
 Caledonia, IL 61011