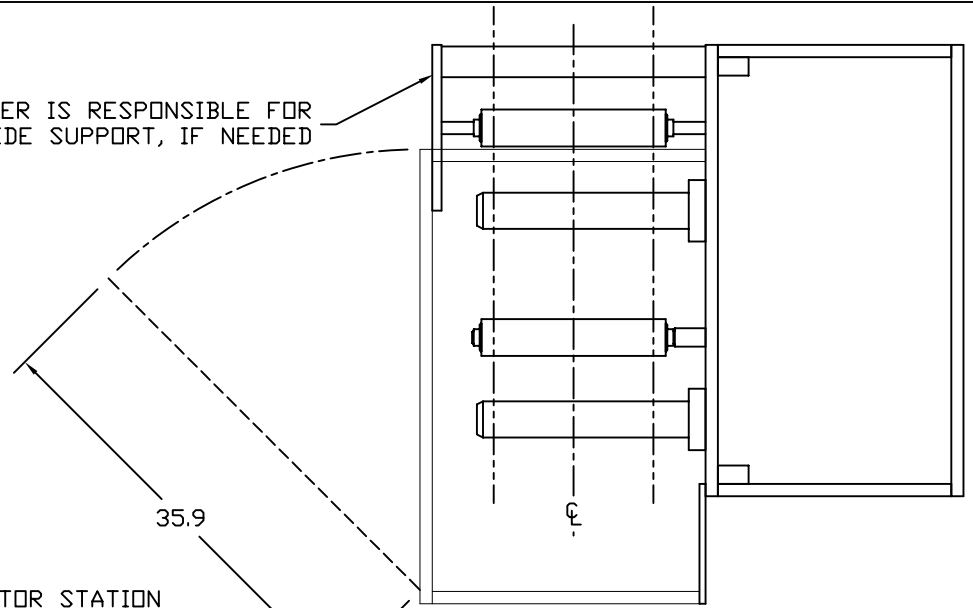


MODEL	WW IN [MM]	SPEED FPM[MPM]	ROLL WT LB [KG]	A IN [MM]	B IN [MM]
MT1324-05	13 [330]	500 [152]	50 [23]	12.5 [317]	11.75 [298]
MT1624-05	16 [406]	500 [152]	50 [23]	14.0 [356]	13.25 [337]
MT1824-05	18 [457]	500 [152]	50 [23]	15.0 [381]	14.25 [362]
MT2024-05	20 [508]	500 [152]	50 [23]	16.0 [406]	15.25 [387]
MT2424-05	24 [610]	500 [152]	50 [23]	18.0 [457]	17.25 [438]

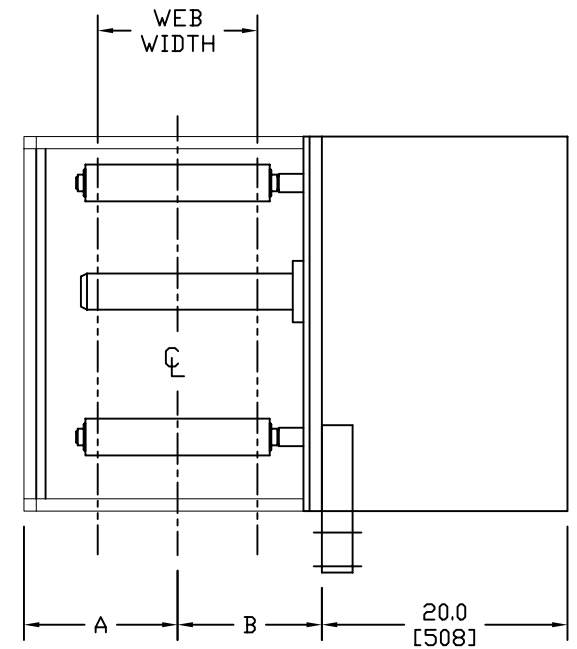
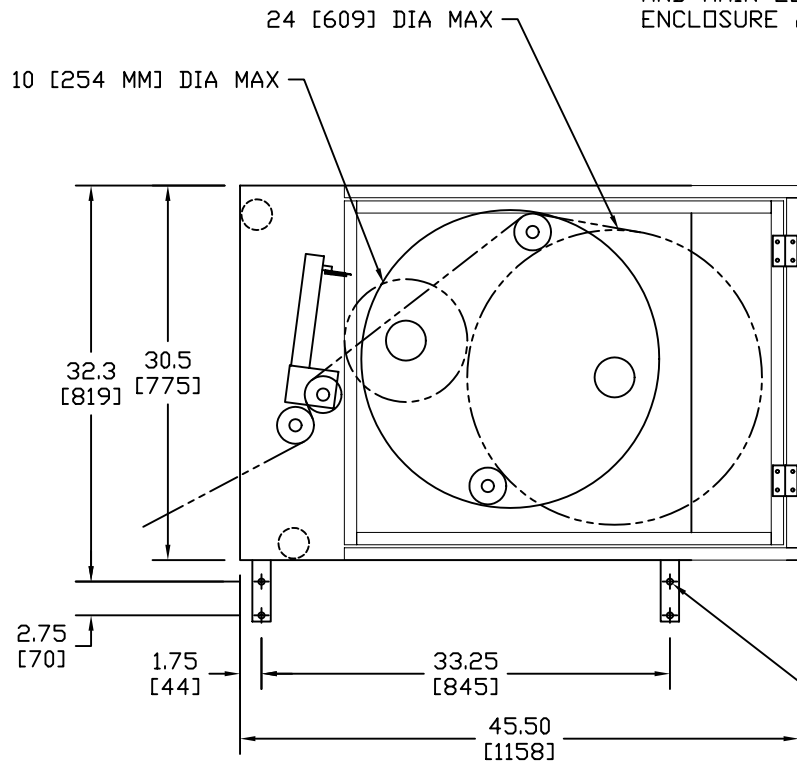
CUSTOMER IS RESPONSIBLE FOR OPERATOR SIDE SUPPORT, IF NEEDED



RIGHT HAND UNIT SHOWN

EST. SHIPPING WEIGHT: 1500 LBS  
[680 KG]  
EST. SHIPPING DIM: 48 X 96 X 60 IN  
[1219 X 2438 X 1524 MM]

NOTE: OPERATOR STATION AND MAIN ELECTRICAL ENCLOSURE ARE NOT SHOWN



PROPOSAL DRAWING: DIMENSIONS AND SPECIFICATIONS SUBJECT TO CHANGE WITHOUT NOTICE

**EKTI** Keene Technology, Inc.  
14357 Commercial Pkwy.  
South Beloit, IL 61080  
(815)624-8989

TITLE: MT MATRIX REWINDER

DRAWN BY: CJP  
DATE: 8/22/03  
DWG. NUMBER: PR650  
PAGE: 1 OF 1

REVISIONS		
REV.	DESCRIPTION	DATE