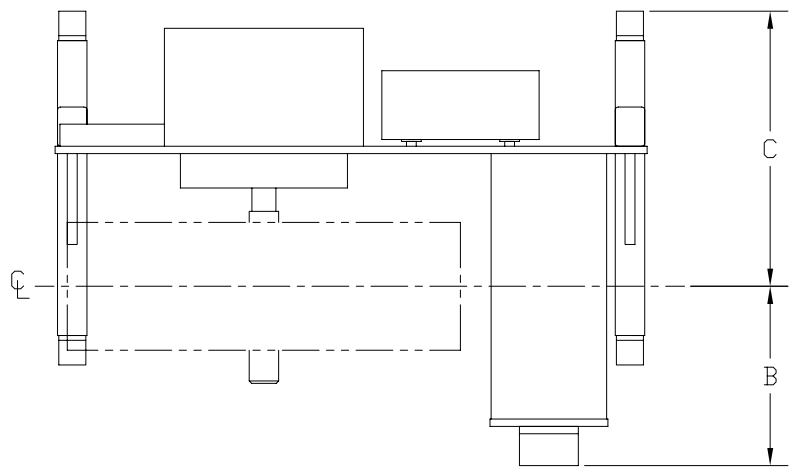
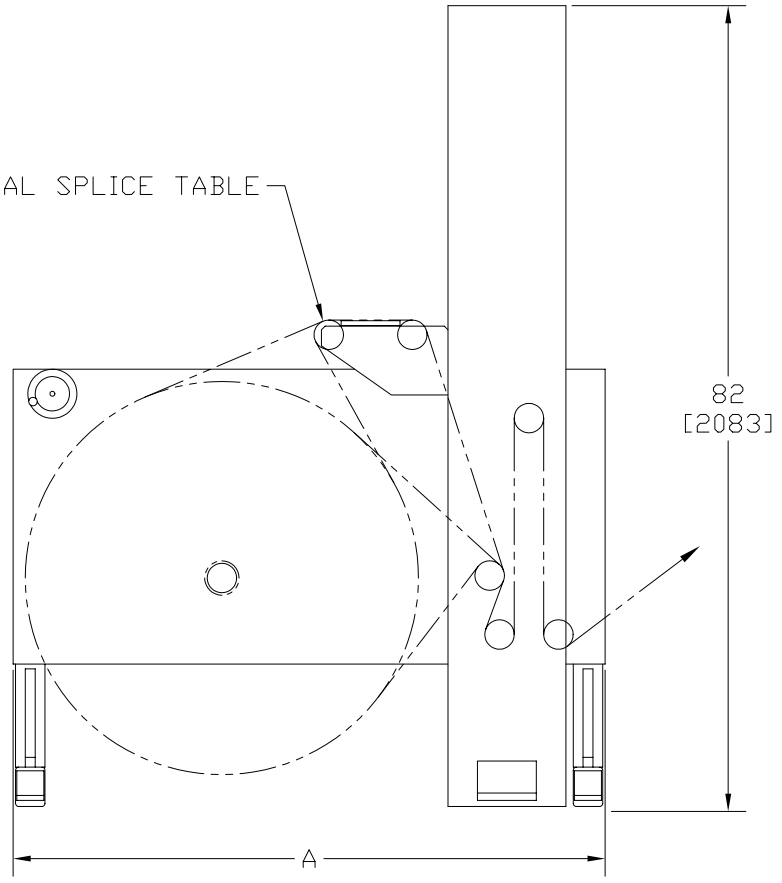


| MODEL      | WW<br>IN<br>[MM] | SPEED<br>FPM<br>[MPM] | ROLL DIA<br>IN<br>[MM] | ROLL WT<br>LB<br>[KG] | A<br>IN<br>[MM] | B<br>IN<br>[MM] | C<br>IN<br>[MM] |
|------------|------------------|-----------------------|------------------------|-----------------------|-----------------|-----------------|-----------------|
| UWC1340-08 | 13<br>[330]      | 800<br>[243]          | 40<br>[1016]           | 800<br>[362]          | 60<br>[1530]    | 18<br>[464]     | 28<br>[711]     |
| UWC1840-08 | 18<br>[457]      | 800<br>[243]          | 40<br>[1016]           | 800<br>[362]          | 60<br>[1530]    | 22<br>[552]     | 32<br>[800]     |
| UWC2050-08 | 20<br>[508]      | 800<br>[243]          | 50<br>[1270]           | 1000<br>[453]         | 72<br>[1816]    | 22<br>[552]     | 32<br>[800]     |



OPTIONAL MANUAL SPLICE TABLE



RIGHT HAND UNIT SHOWN

EST. SHIPPING WEIGHT: 1650 LBS  
[748 KG]  
EST. SHIPPING DIM: 84 X 84 X 66 IN  
[2134 X 2134 X 1676 MM]

PROPOSAL DRAWING: DIMENSIONS AND SPECIFICATIONS SUBJECT TO CHANGE WITHOUT NOTICE

**EKTIE**  
**Keene Technology, Inc.**  
 14357 Commercial Pkwy.  
 South Beloit, IL 61080  
 (815)624-8989

TITLE:  
 UWC CANTILEVERED UNWIND STANDS

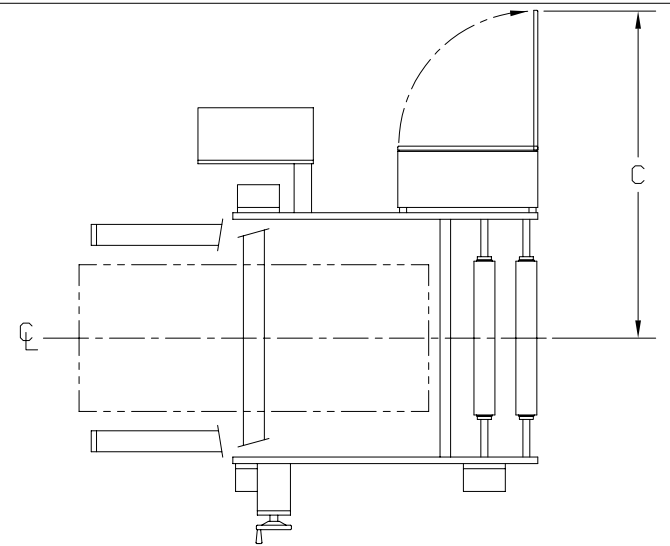
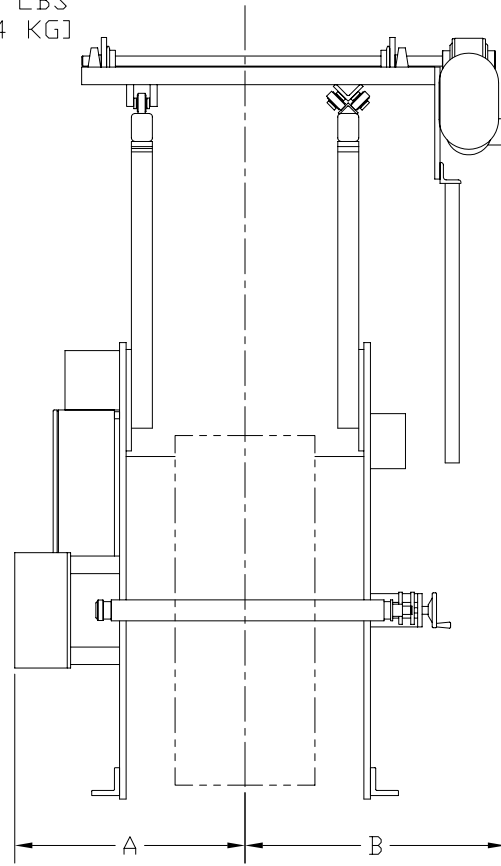
DRAWN BY:  
 CJP  
 DWG. NUMBER:  
 PR825  
 DATE:  
 8/31/12  
 PAGE:  
 1 OF 1

| REVISIONS |             |      |
|-----------|-------------|------|
| REV.      | DESCRIPTION | DATE |
|           |             |      |
|           |             |      |
|           |             |      |

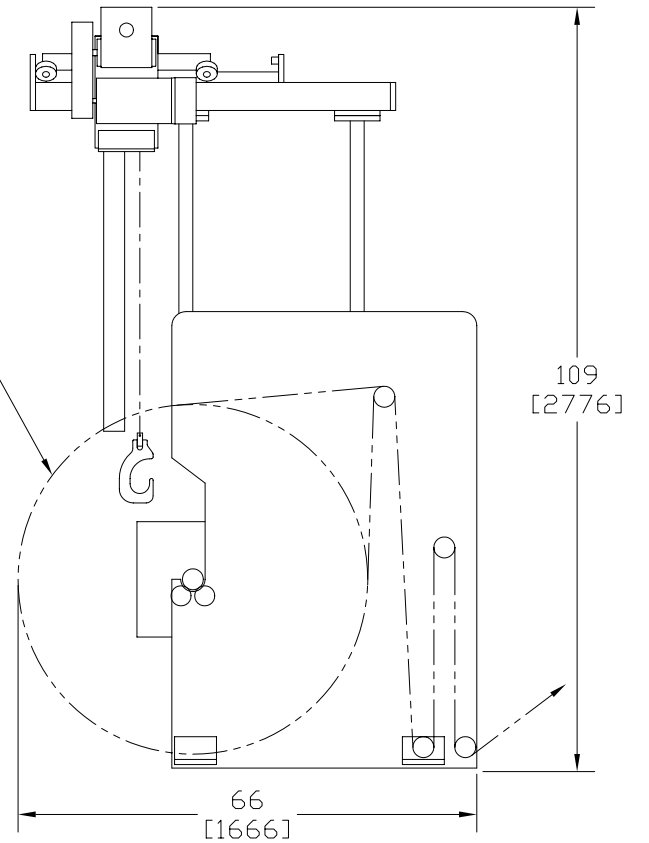
| MODEL      | WW<br>IN<br>[MM] | SPEED<br>FPM<br>[MPM] | ROLL WT<br>LB<br>[KG] | A<br>IN<br>[MM] | B<br>IN<br>[MM] | C<br>IN<br>[MM] |
|------------|------------------|-----------------------|-----------------------|-----------------|-----------------|-----------------|
| UWS2150-10 | 21<br>[533]      | 1000<br>[304]         | 1200<br>[544]         | 33<br>[836]     | 37<br>[946]     | 47<br>[1191]    |
| UWS2750-10 | 27<br>[685]      | 1000<br>[304]         | 1800<br>[816]         | 36<br>[912]     | 40<br>[1022]    | 50<br>[1267]    |
| UWS3250-10 | 32<br>[813]      | 1000<br>[304]         | 2000<br>[907]         | 39<br>[988]     | 43<br>[1099]    | 53<br>[1343]    |
| UWS3850-10 | 38<br>[965]      | 1000<br>[304]         | 2400<br>[1088]        | 42<br>[1064]    | 46<br>[1175]    | 56<br>[1419]    |

RIGHT HAND UNIT SHOWN

EST. SHIPPING WEIGHT: 4000 LBS  
[1814 KG]



50 [1270] MAX DIA



PROPOSAL DRAWING: DIMENSIONS AND SPECIFICATIONS SUBJECT TO CHANGE WITHOUT NOTICE



**Keene Technology, Inc.**  
14357 Commercial Pkwy.  
South Beloit, IL 61080  
(815)624-8989

TITLE:  
UWS SHAFTED UNWIND STANDS

DRAWN BY:  
CJP

DATE:  
8/31/12

DWG. NUMBER:  
PR824

PAGE:  
1 OF 1

| REVISIONS |             |      |
|-----------|-------------|------|
| REV.      | DESCRIPTION | DATE |
|           |             |      |
|           |             |      |
|           |             |      |