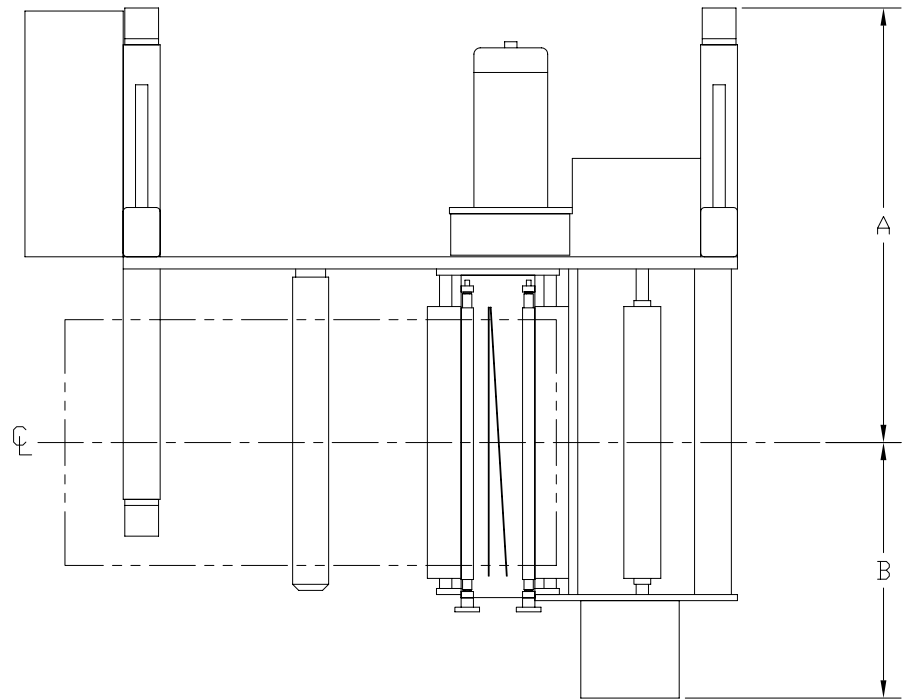


MODEL	WW IN [MM]	SPEED FPM [MPM]	ROLL WT LB [KG]	A IN [MM]	B IN [MM]
UWD1340-05	13 [330]	500 [152]	800 [362]	31.9 [810]	17.3 [439]
UWD1640-05	16 [406]	500 [152]	800 [362]	33.4 [848]	18.8 [477]
UWD2040-05	20 [508]	500 [152]	1000 [453]	35.4 [899]	20.8 [528]

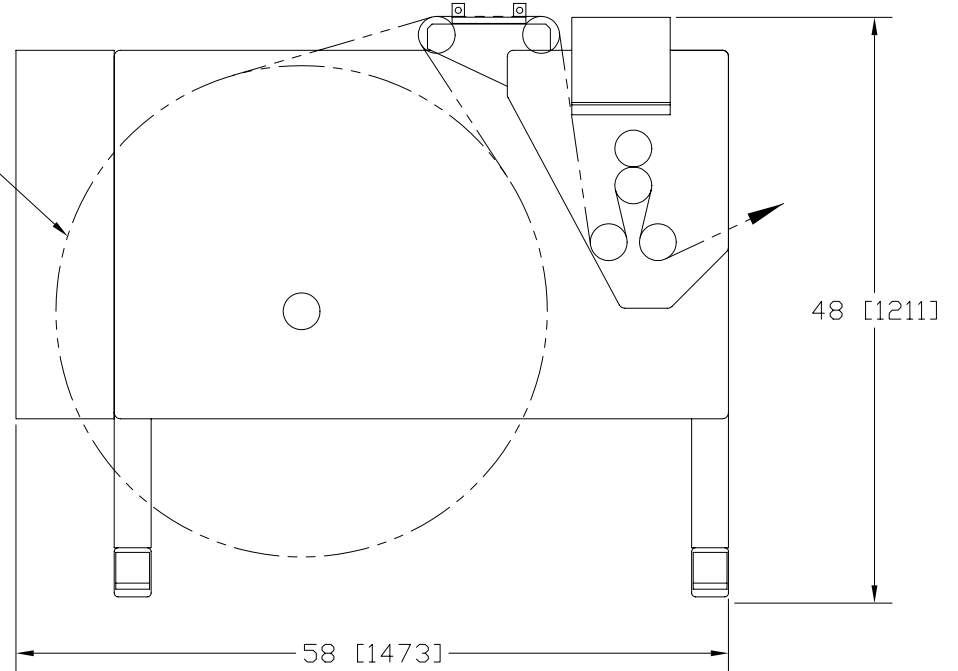
RIGHT HAND UNIT SHOWN

EST. SHIPPING WEIGHT: 1600 LBS  
[726 KG]

EST. SHIPPING DIM: 84 X 84 X 60 IN  
[2134 X 2134 X 1524 MM]



40 [1016] DIA MAX



PROPOSAL DRAWING: DIMENSIONS AND SPECIFICATIONS SUBJECT TO CHANGE WITHOUT NOTICE

**EKTI**  
Keene Technology, Inc.  
14357 Commercial Pkwy.  
South Beloit, IL 61080  
(815)624-8989

TITLE:  
UWD DRIVEN UNWIND STANDS

DRAWN BY:  
CJP

DATE:  
8/31/12

DWG. NUMBER:  
PR826

PAGE:  
1 OF 1

REVISIONS		
REV.	DESCRIPTION	DATE