

JL Series

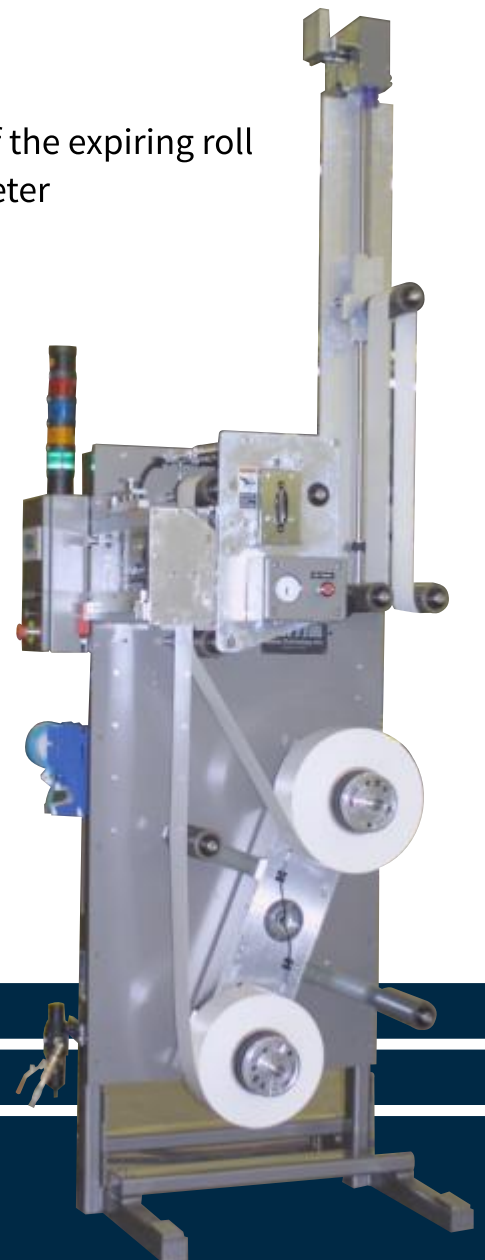
Cantilever Butt Splicer

Overview

This cost-effective, full featured unit eliminates the need to stop the process to load new rolls and offers great throughput. This cantilever splicer, available in horizontal or vertical configurations, is designed to run various substrates and is configured per application. A small footprint, makes this an easy addition to any production process.

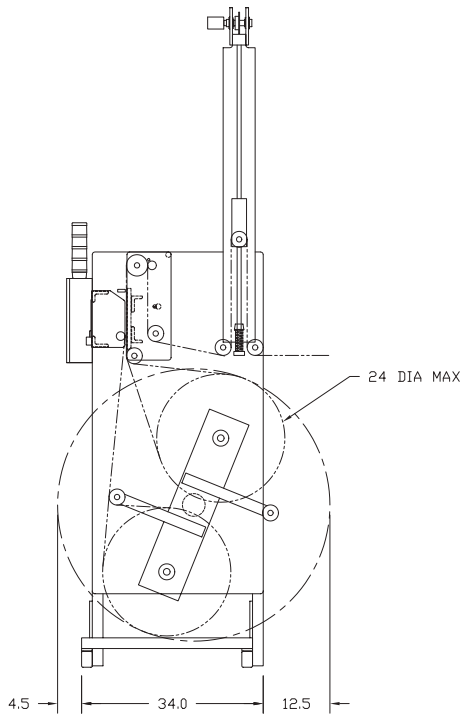
Standard Features

- Automatic zero speed butt splice at process line speed
- Straight across butt splice with no overlap
- Leading edge of the new roll is “butted” to the trailing edge of the expiring roll
- Vertical or horizontal configuration – dependent on roll diameter
- Two cantilevered roll positions
- Single side tape application applied to top side of the web
- Bi-directional unwind capability
- PLC Controls with touch screen



JL Series

Cantilever Butt Splicer



Options

- In-register splice system for pre-printed webs
- Second side tape
- Right angle turnbar
- Dry food grade construction
- Remote diagnostics ready

Specifications

Web Width • Up to 10 inch (254 mm)
Roll Diameter • Up to 30 Inch (762 mm)
Roll Weight • Up to 200 lbs (90 kg)
Splice Speed • Up to 500 FPM (152 mpm)
Core Size • 3 inch

Materials

Various papers
Films

KTI, A Quantum Design Product Line

7550 Quantum Court • Caledonia, IL 61011

P (815) 885-1300 • **F** (815) 885-1370

Web www.ktiusa.com • **Email** info@ktiusa.com