

LS Series

Zero Speed Web Splicer

Overview

The combination of rugged construction, simple mechanical design and high performance make the LS a cost-effective, reliable splicer for many different applications. Machine customization allows for running a variety of materials including film and specialty materials. Increase profits and productivity by splicing to a new roll of material without stopping the press.

Standard Features

- Automatic zero speed lap splice at process line speed
- Automatic press stop for no splice prep
- Automatic drive engage/disengage
- Direct load upper and lower roll position
- Low riding festoon
- Heavy duty construction
- Bi-directional unwind capability
- PLC Controls with touch screen
- Two shafted roll positions
- Simple splice preparation



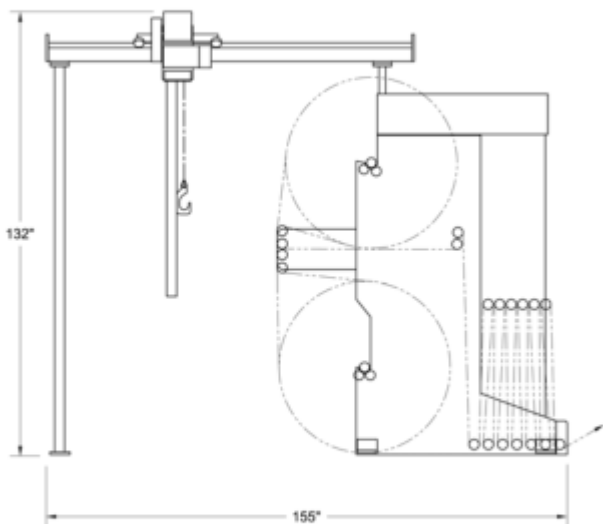
www.ktiusa.com

LS Series

Zero Speed Web Splicer

Options

- Minimum tail splice head for light materials
- In-register splice system for pre-printed webs
- Film package
- Automatic decurler
- Motorized roll sidelay
- Right angle turnbar
- Grooved or tapered idler rollers
- Splice tracking
- Splice position control
- Tandem pair splicer configuration with common hoist
- Coreshafts for alternate size cores
- Remote diagnostics ready



MODEL LS2750-12

DIMENSIONS SUBJECT TO CHANGE WITHOUT NOTICE

Specifications

Web Width • Up to 66 Inch (1676 mm)
Roll Diameter • Up to 60 Inch (1524 mm)
Roll Weight • Up to 4000 LBS (1814 kg)
Splice Speed • Up to 1800 FPM (540 mpm)
Core Size • 3 inch (76mm)

Materials

Paper
Film
Specialty Materials



KTI, A Quantum Design Product Line

7550 Quantum Court • Caledonia, IL 61011

P (815) 885-1300 • **F** (815) 885-1370

Web www.ktiusa.com • **Email** info@ktiusa.com