

KR2 Series

Two-Spindle Turret Rewinder

Overview

This two-spindle design is a cost effective choice for winding a variety of materials. It provides flexibility for the press by winding parent rolls at full press speed and allowing the slower speed roll finishing to be performed on an off-line system. A tension control dancer provides better control of the roll structure and tension at the transfer.

Standard Features

- Automatic transfer to new core at programmed roll diameter
- Automatic speed matched transfer at process line speed
- Servo motor driven spindles
- Integrated dancer for superior web control
- Taper or linear winding tension
- PLC Controls with touch screen
- Roll eject assist
- Remote diagnostics ready



EKTIE
A QUANTUM DESIGN PRODUCT LINE

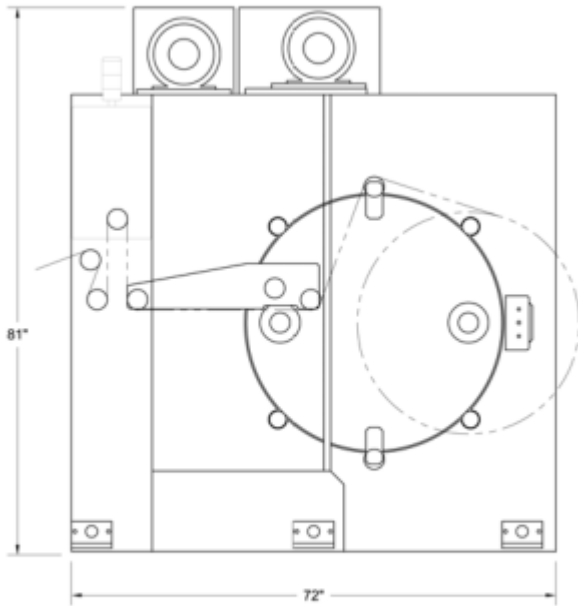
www.ktiusa.com

KR2 Series

Two-Spindle Turret Rewinder

Options

- Casters



KR2 TURRET REWINDER
DIMENSIONS SUBJECT TO CHANGE WITHOUT NOTICE

Specifications

Web Width • Up to 20 inch (508mm)
Roll Diameter • Up to 32 inch (812mm)
Roll Weight • Up to 600 lbs (272 kg)
Transfer Speed • Up to 750 FPM (228 MPM)
Core Size • 3 inch (76mm)

Materials

Paper
Laminates
PS Labels
Film



KTI, A Quantum Design Product Line

7550 Quantum Court • Caledonia, IL 61011

P (815) 885-1300 • F (815) 885-1370

Web www.ktiusa.com • Email info@ktiusa.com