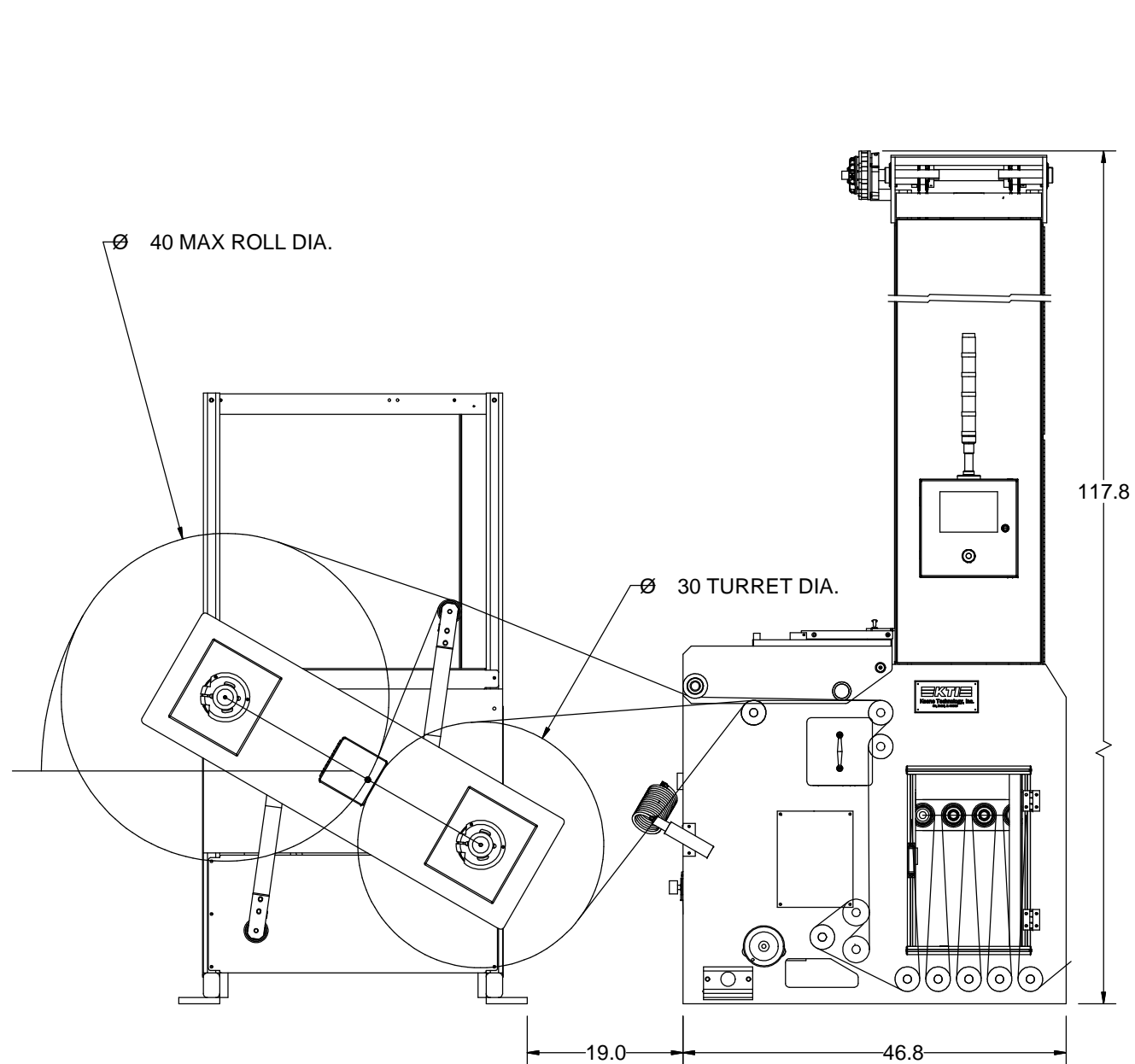
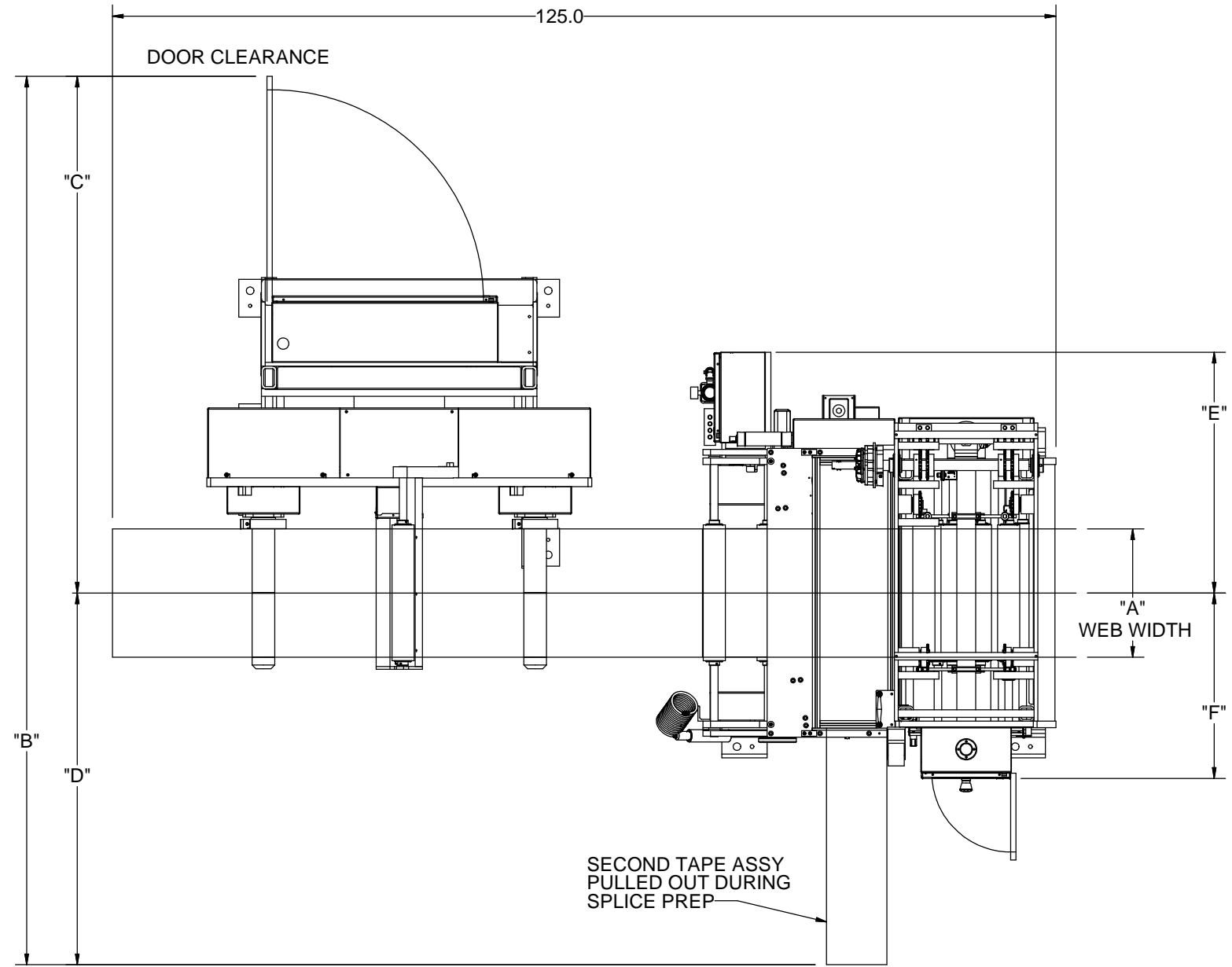


MODEL	A	B	C	D	E	F
ZC1340-05	13.0	106.8	67.1	39.7	28.4	21.1
ZC1340-07	13.0	106.8	67.1	39.7	28.4	21.1
ZC1740-05	17.0	117.7	68.5	49.3	31.9	24.6
ZC1740-07	17.0	117.7	68.5	49.3	31.9	24.6
ZC2040-05	20.0	122.2	71.7	50.5	31.9	24.6
ZC2040-07	20.0	122.2	71.7	50.5	31.9	24.6
ZC2240-05	22.0	122.2	71.7	50.5	31.9	24.6
ZC2240-07	22.0	122.2	71.7	50.5	31.9	24.6




OPERATOR SIDE VIEW



PLAN VIEW

PROPOSAL DRAWING: DIMENSIONS AND SPECIFICATIONS SUBJECT TO CHANGE WITHOUT NOTICE

PROPRIETARY AND CONFIDENTIAL				THIS DRAWING AND ALL INFORMATION CONTAINED HEREIN IS THE SOLE PROPERTY OF QUANTUM DESIGN, INC. ANY REPRODUCTION, USE, OR DISCLOSURE OF THIS INFORMATION WITHOUT THE EXPRESS WRITTEN CONSENT OF QUANTUM DESIGN INC. IS STRICTLY PROHIBITED. QUANTUM DESIGN INC. RESERVES ALL RIGHTS.	 Quantum Design, Inc. 7550 Quantum Court Caledonia, IL 61011	NAME ZC BUTT SPLICER	
DATE	DESCRIPTION	REV. BY	ECN			DRAWN BY: JWD	DATE: 10/23/2020